



LED efficiency and performance in an economical 2'x2' center basket troffer. Includes built-in support for Lightcloud, a wireless lighting control system fully developed and supported by RAB.

Color: White

Weight: 17.7 lbs

|                     |              |
|---------------------|--------------|
| <b>Project:</b>     | <b>Type:</b> |
| <b>Prepared By:</b> | <b>Date:</b> |

| Driver Info |                  | LED Info       |               |
|-------------|------------------|----------------|---------------|
| Type        | Constant Current | Watts          | 29W           |
| 120V        | 0.24A            | Color Temp     | 5000K (Cool)  |
| 208V        | 0.14A            | Color Accuracy | 85 CRI        |
| 240V        | 0.12A            | L70 Lifespan   | 100,000 Hours |
| 277V        | 0.11A            | Lumens         | 4,037 lm      |
| Input Watts | 30.3W            | Efficacy       | 133.2 lm/W    |

## Technical Specifications

### Lightcloud

#### Lightcloud Controller Installed:

Fixture, Zone, and plug-load control from one powerful device. Capable of switching, 0-10V dimming, power monitoring. Can also be used to extend the range of the Lightcloud mesh network. Attach to fixture, junction box, or electrical panel. [Learn more about Lightcloud.](#)

### Compliance

#### UL Listed:

Suitable for damp locations

#### IESNA LM-79 & LM-80 Testing:

RAB LED luminaires and LED components have been tested by an independent laboratory in accordance with IESNA LM-79 and LM-80.

#### DLC Listed:

This product is listed by Design Lights Consortium (DLC) as an ultra-efficient premium product that qualifies for the highest tier of rebates from DLC Member Utilities. Designed to meet DLC 5.1 requirements.  
DLC Product Code: PKGP14N2

### Electrical

#### Driver:

Class 2, Constant Current, 120-277V, 50/60Hz, 120V: 0.24A, 208V: 0.14A, 240V: 0.12A, 277V: 0.11A

#### Dimming Driver:

Driver includes dimming control wiring for 0-10V dimming systems. Requires separate 0-10V DC dimming circuit. Dims down to 10%.

#### THD:

6.66% at 120V, 6.38% at 277V

#### Power Factor:

99.5% at 120V, 96.4% at 277V

#### Battery Backup:

Battery backup will operate the fixture for 90 minutes if power fails. Wired for 120-277V.

#### Surge Protection:

2.5kV

#### Battery Backup Light Loss Factor:

0.43

### Construction

#### Cold Weather Starting:

The minimum starting temperature is -20°C (-4°F)

#### Ambient Temperature:

Suitable for use in up to 40°C (104°F)

#### IC Rated:

Suitable for direct contact with insulation

#### Housing:

Die-formed, 20-gauge, cold-rolled steel

#### Mounting:

Integral T-grid clips make installation easy and secure

#### Reflector:

High-reflectance, powder-coated finish, optimized for uniform light distribution

#### Lens:

Snap-in, frosted polycarbonate lens

#### Finish:

Formulated for high durability and long-lasting color

#### Green Technology:

Mercury and UV free. RoHS-compliant components.

### LED Characteristics

#### LEDs:

Long-life, high-efficacy, surface-mount LEDs

#### Color Stability:

LED color temperature is warrantied to shift no more than 200K in color temperature over a 5-year period

## Technical Specifications (continued)

### Color Uniformity:

RAB's range of Correlated Color Temperature follows the guidelines of the American National Standard for Specifications for the Chromaticity of Solid State Lighting (SSL) Products, ANSI C78.377-2017.

### Performance

#### Lifespan:

100,000-Hour LED lifespan based on IES LM-80 results and TM-21 calculations

### Other

#### Warranty:

RAB warrants that our LED products will be free from defects in materials and workmanship for a period of five (5) years from the date of delivery to the end user, including coverage of light output, color stability, driver performance and fixture finish. RAB's warranty is subject to all terms and conditions found at [rablighting.com/warranty](http://rablighting.com/warranty).

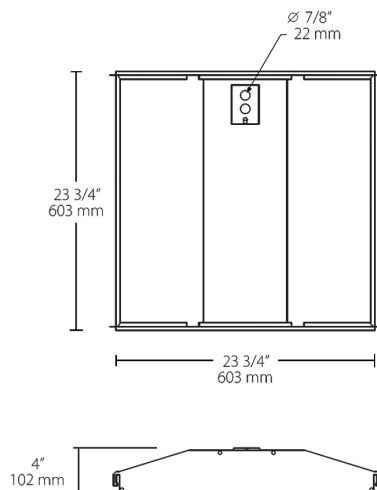
#### Patents:

This design is protected by patents pending in US, Canada, China, Taiwan and Mexico

#### Buy American Act Compliance:

RAB values USA manufacturing! Upon request, RAB may be able to manufacture this product to be compliant with the Buy American Act (BAA). Please contact customer service to request a quote for the product to be made BAA compliant.

## Dimensions



## Features

- Ultra-efficient performance with DLC Premium listing
- Optional surface mount and drywall frame kits available
- 0-10V dimming, standard on all models
- 100,000-hour LED lifespan
- 5-Year, No-Compromise Fixture Warranty and 10-Year, No-Compromise Lightcloud Warranty
- Easy setup - simply power on, confirm device connectivity and call 844-LIGHTCLOUD

Ordering Matrix

| Family | Size                           |   | Wattage  | Color Temp   | Driver               | Options   | Chicago Plenum                           |
|--------|--------------------------------|---|--|--|----------------------|---|--|
| SWISH  | 2X2                            | - | 29   |  | /D10                 | /LC/E2  |  |
|        | 2X2 = 2' x 2'<br>2X4 = 2' x 4' |   | 19 = 19W (2x2)<br>29 = 29W (2x2)<br>39 = 39W (2x4)<br>49 = 49W (2x4) | Y = 3000K Warm<br>YN = 3500K Warm Neutral<br>N = 4000K Neutral<br>Blank = 5000K Cool | /D10 = 0-10V Dimming | Blank = No Option<br>/E2 = Battery Backup<br>/LC = Lightcloud Controller<br>/LC/E2 = Lightcloud Controller w/Battery Backup<br>/MVS = Microwave Occupancy Sensor<br>/MVS/E2 = Microwave Occupancy Sensor w/Battery Backup | Blank = Standard<br>/CP = Chicago Plenum |