



Project:	Type:
Prepared By:	Date:

Driver Info		LED Info	
Type	Constant Current	Watts	19W
120V	0.15A	Color Temp	3000K (Warm)
208V	0.10A	Color Accuracy	83 CRI
240V	0.08A	L70 Lifespan	100,000 Hours
277V	0.07A	Lumens	2,533 lm
Input Watts	18.8W	Efficacy	134.7 lm/W

Technical Specifications

Compliance

UL Listed:

Suitable for damp locations

IESNA LM-79 & lm-80 Testing:

RAB LED luminaires and LED components have been tested by an independent laboratory in accordance with IESNA lm-79 and lm-80

Trade Agreements Act Compliant:

This product is a product of Cambodia and a "designated country" end product that complies with the Trade Agreements Act

DLC Listed:

This product is listed by Design Lights Consortium (DLC) as an ultra-efficient premium product that qualifies for the highest tier of rebates from DLC Member Utilities. Designed to meet DLC 5.1 requirements.

DLC Product Code: PWSGZVJ

Electrical

Driver:

Class 2, Constant Current, 120-277V, 50/60Hz, 120V: 0.15A, 208V: 0.10A, 240V: 0.08A, 277V: 0.07A

Dimming Driver:

Driver includes dimming control wiring for 0-10V dimming systems. Requires separate 0-10V DC dimming circuit. Dims down to 10%.

THD:

7.32% at 120V, 9.17% at 277V

Power Factor:

99.4% at 120V, 99.5% at 277V

Battery Backup:

Battery backup will operate the fixture for 90 minutes if power fails. Wired for 120-277V.

Surge Protection:

2.5kV

Battery Backup Light Loss Factor:

0.67

Construction

Cold Weather Starting:

The minimum starting temperature is -20°C (-4°F)

Ambient Temperature:

Suitable for use in up to 40°C (104°F)

IC Rated:

Suitable for direct contact with insulation

Housing:

Die-formed, 20-gauge, cold-rolled steel

Mounting:

Integral T-grid clips make installation easy and secure

Reflector:

High-reflectance, powder-coated finish, optimized for uniform light distribution

Lens:

Snap-in, frosted polycarbonate lens

Finish:

Formulated for high durability and long-lasting color

Green Technology:

Mercury and UV free. RoHS-compliant components.

LED Characteristics

LEDs:

Long-life, high-efficacy, surface-mount LEDs

Color Stability:

LED color temperature is warranted to shift no more than 200K in color temperature over a 5-year period

Color Uniformity:

RAB's range of Correlated Color Temperature follows the guidelines of the American National Standard for Specifications for the Chromaticity of Solid State Lighting (SSL) Products, ANSI C78.377-2017.

Technical Specifications (continued)

Performance

Lifespan:

100,000-Hour LED lifespan based on IES LM-80 results and TM-21 calculations

Other

Warranty:

RAB warrants that our LED products will be free from defects in materials and workmanship for a period of five (5) years from the date of delivery to the end user, including coverage of light output, color stability, driver performance and fixture finish. RAB's warranty is subject to all terms and conditions found at rablighting.com/warranty.

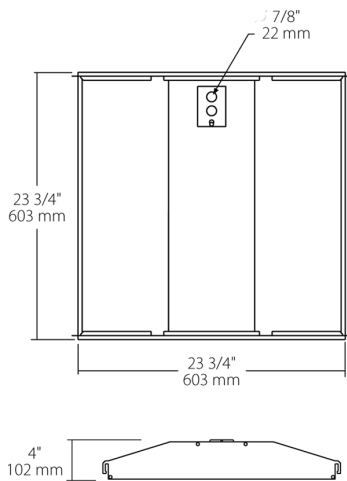
Patents:

This design is protected by patents pending in US, Canada, China, Taiwan and Mexico

Buy American Act Compliance:

RAB values USA manufacturing! Upon request, RAB may be able to manufacture this product to be compliant with the Buy American Act (BAA). Please contact customer service to request a quote for the product to be made BAA compliant.

Dimensions



Features

- Direct Connect to the Lightcloud Blue mobile app via Bluetooth, no Gateway or Hub required
- Use mobile device to configure features for On/Off Control, Dim Level, Schedules, Scenes, and more.
- Meets Luminaire Level Lighting Control (LLLC) requirements
- Integrated passive infrared or microwave sensor for added savings
- Use mobile device to configure sensor settings for sensitivity, timeout and actions.
- Includes emergency battery backup

Ordering Matrix

Family	Size	Wattage	Color Temp	Driver	Options	Chicago Plenum
SWISH	2X2	-	19	Y	/D10	/LCB/E2
	2X4 = 2' x 4' 2X2 = 2' x 2'	19 = 19W (2x2) 29 = 29W (2x2) 39 = 39W (2x4) 49 = 49W (2x4)	Blank = 5000K Cool N = 4000K Neutral YN = 3500K Warm Neutral Y = 3000K Warm	/D10 = 0-10V Dimming	Blank = No Option /E2 = Battery Backup /LC = Lightcloud® Controller /LCB = Lightcloud® Blue Enabled /LCBS = Lightcloud® Blue Enabled w/ PIR Sensor /MVS = Microwave Occupancy Sensor /LC/E2 = Lightcloud® Controller w/ Battery Backup /LCB/E2 = Lightcloud® Blue Enabled and Battery Backup /LCBS/E2 = Lightcloud® Blue Enabled w/ PIR Sensor and Battery Backup /LCBS/MVS = Lightcloud® Blue Enabled w/ MVS Sensor /LCBS/MVS/E2 = Lightcloud® Blue Enabled w/ MVS Sensor and Battery Backup /MVS/E2 = Microwave Occupancy Sensor w/ Battery Backup	Blank = Standard /CP = Chicago Plenum