



Color: Brushed nickel

Weight: 0.1 lbs

<b>Project:</b>	<b>Type:</b>
<b>Prepared By:</b>	<b>Date:</b>

**Technical Specifications**

**Performance**

**Product Type:**  
Surface Mount Accessory

**Electrical**

**Operating Temperature:**  
-4°F to 104°F (-20°C to 40°C)

**Installation**

**Mounting:**  
Snap on

**Construction**

**Size:**  
5.5"

**Shape:**  
Round

**Finish:**  
Brushed Nickel

**Enclosure Material:**  
Metal

**Trim Style:**  
Smooth

**UV Protection:**  
No

**Compliance**

**Listings:**  
None

**Environment:**  
Suitable for use indoors in dry and damp environments.

**California Title 20 Compliant:**  
No

**California Title 24 JA8 Compliant:**  
No

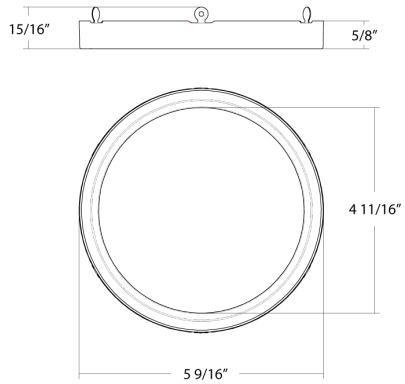
**California Energy Commission (CEC) Status:**  
Lawful for Sales in California

**Other**

**Compatible Products:**  
Compatible with select Surface Mount Downlights, see complete Downlight Accessory Compatibility Guide.

**Buy American Act Compliance:**  
RAB values USA manufacturing! Upon request, RAB may be able to manufacture this product to be compliant with the Buy American Act (BAA). Please contact customer service to request a quote for the product to be made BAA compliant.

## Dimensions



## Features

Color trim for surface mount, see Downlight Accessory Compatibility Guide

Color trim for surface mount, see Downlight Accessory Compatibility Guide

Available in 3 colors: Black, Bronze, & Brushed Nickel