

<b>Project:</b>	<b>Type:</b>
<b>Prepared By:</b>	<b>Date:</b>

Driver Info		LED Info	
Type	Constant Current	Watts	14W
120V	0.13A	Color Temp	2700K/3000K/3500K/4000K/5000K
208V	N/A	Color Accuracy	90 CRI
240V	N/A	L70 Lifespan	50,000 Hours
277V	N/A	Lumens	900 lm
Input Watts	14W	Efficacy	64.3 lm/W

## Technical Specifications

### Performance

#### Product Type:

Surface Mount

#### Description:

The SUMO offers a sleek, low-profile design that adds a modern look to any new construction or retrofit space. They are affordable and easy to install, with field-adjustable color temperature.

#### Wattage Equivalency:

60W Incandescent

#### Input Wattage:

14W

#### Lumens (Nominal):

2700K @ 993lm; 3000K @ 1,032lm; 3500K @ 1,072lm; 4000K @ 1,092lm; 5000K @ 1,110lm

#### Efficacy:

2700K @ 73lm/W; 3000K @ 75lm/W; 3500K @ 78lm/W; 4000K @ 80lm/W; 5000K @ 81lm/W

#### L70 Lifespan:

50,000-Hour LED lifespan based on IES LM-70 results

#### Listings:

UL Listed

### Electrical

#### Driver:

Constant Current, Class 2, 60 Hz, 120V: 0.13A

#### Power Factor:

≥0.9

#### Dimmable:

Yes, dimmable down to 10% on compatible TRIAC/ELV dimming systems.

#### Input Voltage:

120V

#### Operating Frequency:

60 Hz

#### Input Current @ 120V (mA):

130mA

#### Operating Temperature:

-4°F to 104°F (-20°C to 40°C)

#### Flicker:

≤30%

### Optical

#### Beam Angle:

110°±10°

### LED Characteristics

#### Color Temperature:

Field Adjustable via dip switch  
2700/3000/3500/4000/5000K

#### Color Accuracy (CRI):

>90 CRI

#### R9 Value:

High color performance with R9 greater than or equal to 50

#### Color Consistency:

4-step MacAdam Ellipse binning to achieve consistent fixture-to-fixture color

#### Color Stability:

LED color temperature is warranted to shift no more than 200K in color temperature over a 5-year period

#### Color Uniformity:

RAB's range of Correlated Color Temperature follows the guidelines of the American National Standard for Specifications for the Chromaticity of Solid State Lighting (SSL) Products, ANSI C78.377-2017.

### Construction

#### Mounting:

Surface mount

**Technical Specifications (continued)**

**Size:**  
7"

**Shape:**  
Round

**Finish:**  
White

**Enclosure Material:**  
Metal

**Trim Style:**  
Smooth

**Lens:**  
Polycarbonate light diffuser distributes light evenly and smoothly for general lighting applications

**Compliance**

**Environment:**  
Suitable for use in dry, damp, and wet environments.

**IC Rated:**  
No

**Air Tight:**  
No

**Energy Star Approved:**  
This product is ENERGY STAR® Version 2.2 Certified.

**Model Number for Certification:**  
DAS0001(DAISYKIT4)

**T20 Compliant:**  
No

**California Title 24:**  
Can be used to conform with the requirements of California Title 24 Part 6.

**California Energy Commission (CEC) Status:**  
Lawful for Sales in California

**NEC Compliant:**  
Suitable for use in closets. Compliant with NEC Sec. 410.16 (A)(1) and 410.16 (C1).

**IESNA LM-79 & lm-80 Testing:**  
RAB LED luminaires and LED components have been tested by an independent laboratory in accordance with IESNA lm-79 and lm-80

**RoHS Compliant:**  
Mercury and UV free. RoHS-compliant components.

**FCC:**  
Complies with Part 15 of the FCC Rules

**Trade Agreements Act Compliant:**  
This product is a product of Cambodia and a "designated country" end product that complies with the Trade Agreements Act

**Other**

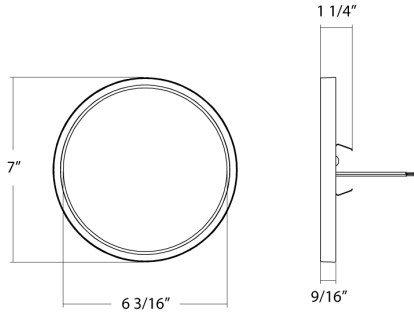
**Accessories:**  
No compatible accessories

**Warranty:**  
RAB warrants that our LED products will be free from defects in materials and workmanship for a period of five (5) years from the date of delivery to the end user, including coverage of light output, color stability, driver performance and fixture finish. RAB's warranty is subject to all terms and conditions found at [rablighting.com/warranty](http://rablighting.com/warranty).

**Note:**  
All values are typical (tolerance +/- 10%)

**Buy American Act Compliance:**  
RAB values USA manufacturing! Upon request, RAB may be able to manufacture this product to be compliant with the Buy American Act (BAA). Please contact customer service to request a quote for the product to be made BAA compliant.

**Dimensions**



**Features**

- Surface or Recessed mounting options
- Select from 5 field-adjustable color temperatures 2700K, 3000K, 3500K, 4000K, or 5000K
- Suitable for wet and damp locations
- Dims down to 10% on compatible TRIAC/ELV dimming systems, see Dimmer Compatibility List
- Meets California Title 24 requirements

**Ordering Matrix**

Family	Shape	Size (Wattage)	Color Temp	Voltage	Finish
SUMO	R	7			
	R = Round S = Square	5 = 5.5", (10W) 7 = 7", (14W) 9 = 9", (18W)	Blank = 2700K/3000K/3500K/4000K/5000K	Blank = 120V	Blank = White