

Project:	Type:
Prepared By:	Date:

Driver Info		LED Info	
Type	N/A	Watts	N/A
120V	N/A	Color Temp	N/A
208V	N/A	Color Accuracy	N/A
240V	N/A	L70 Lifespan	N/A
277V	N/A	Lumens	N/A
Input Watts	6W	Efficacy	N/A

Technical Specifications

Performance

Description:

Mounting kit for 7-inch SUMO models that allows for installation into recessed housings.

Product Type:

Surface & Flush Mounts

Construction

Material:

Plastic

Base Type:

E26 Edison

Shape:

Round

Size:

6"

Compliance

Trade Agreements Act Compliant:

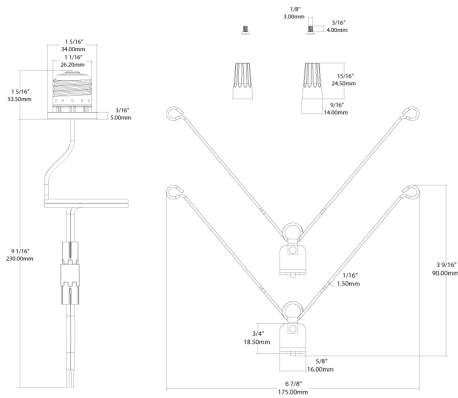
This product is a product of Cambodia and a "designated country" end product that complies with the Trade Agreements Act

Other

Buy American Act Compliance:

RAB values USA manufacturing! Upon request, RAB may be able to manufacture this product to be compliant with the Buy American Act (BAA). Please contact customer service to request a quote for the product to be made BAA compliant.

Dimensions



Features

Surface or Recessed mounting options

Select from 5 field-adjustable color temperatures 2700K, 3000K, 3500K, 4000K, or 5000K

Suitable for wet and damp locations

Dims down to 10% on compatible TRIAC/ELV dimming systems, see Dimmer Compatibility List

Meets California Title 24 requirements

Ordering Matrix

Family	Size	Shape
SUMO	6IN	RETROFIT
	7 = 7" 9 = 9"	R = Round