

<b>Project:</b>	<b>Type:</b>
<b>Prepared By:</b>	<b>Date:</b>

Driver Info		LED Info	
Type	Constant Current, Class 2	Watts	24W
120V	0.20A	Color Temp	Tunable White 2700-6500K
208V	0.12A	Color Accuracy	90 CRI
240V	0.11A	L70 Lifespan	50,000 Hours
277V	0.09A	Lumens	1,900 lm
Input Watts	24W	Efficacy	79

**Technical Specifications**

**Performance**

**Product Type:**

Surface Mount

**Description:**

Contemporary ultra slim edge-lit surface mount downlight. SmartShift Ready downlight with wireless control for on/off, dimming and color temperature between 2700K-6500K. Ideal for new construction and retrofit applications. No Gateway or Hub required.

**Wattage Equivalency:**

120W Incandescent

**Lumens:**

1,900lm

**Efficacy:**

79lm/W

**L70 Lifespan:**

50,000-Hour LED lifespan based on IES LM-70 results

**Lightcloud**

**Lightcloud Blue:**

Lightcloud Blue is a Bluetooth mesh wireless lighting control system that allows you to control RAB's various compatible devices. With RAB's patent-pending Rapid Provisioning technology, devices can be quickly and easily commissioned for residential and large commercial applications using the Lightcloud Blue mobile app. Each device in a system can communicate with any other device, eliminating the need for a Gateway or Hub and maximizing the control system's reach.

DLC system - N1XMLOEATBA

[Learn more at www.lightcloud.com](http://www.lightcloud.com)

**Gateway Required:**

No

**Communication Protocol:**

Bluetooth Mesh

**SmartShift:**

SmartShift is the most advanced - yet easiest to use - circadian lighting system, which syncs white color tuning with the local sunrise and sunset.

**Range:**

Up to 60 ft between standard building materials. Building materials such as brick, concrete, and steel construction may require additional Lightcloud Blue devices to extend around an obstruction. Up to 200 ft clear line of sight (varies by device).

**Spacing Criteria:**

Lightcloud Blue devices should be placed within the specified range to communicate within the Bluetooth Mesh network.

## Technical Specifications (continued)

### Factory Reset:

Method 1: Delete from App  
Open the app and access the device settings for the paired device. Be sure that the device is online and select 'Delete'. The device will flash on/off 5 times and return to full brightness.

### Method 2: Manual

Power the device off and on 5x consecutively. Do not allow less than 4s to elapse from switching off to on. Do not allow more than 2s to elapse from switching on to off. The device will flash 3x, then reset to 100% brightness at default CCT.

### Method 3: Rapid Reset Tool

The Rapid Reset process must be done by a professional electrician qualified by RAB. Reach out to your RAB sales manager to request a Rapid Reset Tool. The tool simply needs to be placed directly on the small Lightcloud Blue logo on the device for 2s or until the lamp/luminaire flashes 3x, then resets to 100% brightness at the default CCT.

## Electrical

### Driver:

Constant Current, Class 2, 60 Hz, 120V-277V, 120V: 0.20A; 208V: 0.12A; 240V: 0.11A; 277V: 0.09A

### THD:

≤20%

### Power Factor:

≥0.9

### Input Wattage:

24W

### Dimmable:

Yes, via the Lightcloud Blue mobile app and devices. This lamp will not operate properly when connected to a standard (incandescent) dimmer or dimming control.

### Operating Frequency:

60 Hz

### Input Current @ 120V (mA):

200mA

### Input Current @ 208V (mA):

121mA

### Input Current @ 240V (mA):

105mA

### Input Current @ 277V (mA):

94mA

### Operating Temperature:

-4°F to 104°F (-20°C to 40°C)

### Flicker:

<5%

### Beam Angle:

110°

## LED Characteristics

### Color Temperature:

Default: 3000K  
Adjustable using the Lightcloud Blue mobile app  
Tunable White 2200K - 6500K

### Color Accuracy (CRI):

>90 CRI

### R9 Value:

High color performance with R9 greater than or equal to 50

### Color Consistency:

4-step MacAdam Ellipse binning to achieve consistent fixture-to-fixture color

### Color Stability:

LED color temperature is warranted to shift no more than 200K in color temperature over a 5-year period

### Color Uniformity:

RAB's range of Correlated Color Temperature follows the guidelines of the American National Standard for Specifications for the Chromaticity of Solid State Lighting (SSL) Products, ANSI C78.377-2017.

## Installation

### Mounting:

Surface Mount

## Construction

### Size:

12"

### Shape:

Round

### Finish:

White

### Enclosure Material:

Metal

### Trim Style:

Smooth

### Lens:

Polycarbonate light diffuser distributes light evenly and smoothly for general lighting applications

## Compliance

### Listings:

UL Listed

### Environment:

Suitable for use in dry, damp, and wet environments.

### IC Rated:

No

### Air Tight:

No

### Energy Star Approved:

This product is ENERGY STAR® Version 2.2 Certified.

### Energy Star ID:

3354435

### DLC Listed:

No

### Certification Model Number:

SUMO12/LCB

### T20 Compliant:

No

### California Title 24 JA8 Compliant:

Can be used to conform with the requirements of California Title 24 Part 6

### California Energy Commission (CEC) Status:

Lawful for Sales in California

### NEC Compliant:

Suitable for use in closets. Compliant with NEC Sec. 410.16 (A)(1) and 410.16 (C1).

### IESNA LM-79 & LM-80 Testing:

RAB LED luminaires and LED components have been tested by an independent laboratory in accordance with IESNA LM-79 and LM-80.

### RoHS:

Mercury and UV free. RoHS-compliant components.

### FCC:

Complies with Part 15 of the FCC Rules

**Technical Specifications (continued)**

**Trade Agreements Act Compliant:**

This product is a product of Cambodia and a "designated country" end product that complies with the Trade Agreements Act

**Other**

**Warranty:**

RAB warrants that our LED products will be free from defects in materials and workmanship for a period of five (5) years from the date of delivery to the end user, including coverage of light output, color stability, driver performance and fixture finish. RAB's warranty is subject to all terms and conditions found at [rablighting.com/warranty](http://rablighting.com/warranty).

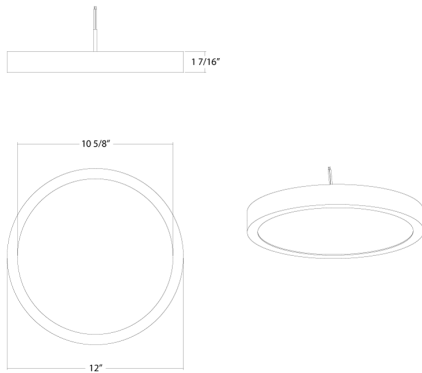
**Note:**

All values are typical (tolerance +/- 10%)

**Buy American Act Compliance:**

RAB values USA manufacturing! Upon request, RAB may be able to manufacture this product to be compliant with the Buy American Act (BAA). Please contact customer service to request a quote for the product to be made BAA compliant.

**Dimensions**



**Features**

- Direct Connect to the Lightcloud Blue mobile app via Bluetooth, no Gateway or Hub required
- Use mobile device to configure features for On/Off Control, Dim Level, Color Temperature, Schedules, Scenes, SmartShift and more
- Tunable White 2700-6500K with smooth transition between color temperatures
- Circadian SmartShift Ready to sync with local sunrise/sunset

**Ordering Matrix**

Family	Size/Wattage	Shape	Color Temp	Voltage	Finish	Options
SUMO	12					/LCB
	12 = 12", 24W 19 = 19", 29W	Blank = Round	Blank = 90 CRI, Tunable White 2700-6500K	Blank = 120-277V	Blank = White	/LCB = Lightcloud Blue-enabled