

Technical Specifications (continued)

Accessories:

STRP BPLATE - Bracket plate for mechanically joining fixtures, for runs need one less than fixture quantity. [Click here.](#)

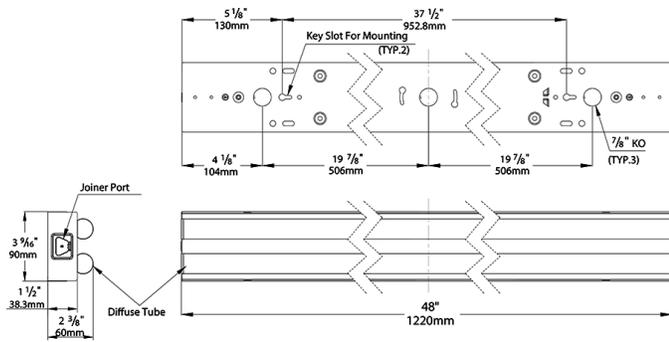
STRP SHOOK - Suspension "S" hook and 9 1/2" chain. Sold in pairs, need 1 pair for each fixture. [Click here.](#)

JBSTRP - White flat cover for junction-box installations, sold individually. [Click here.](#)

Buy American Act Compliance:

RAB values USA manufacturing! Upon request, RAB may be able to manufacture this product to be compliant with the Buy American Act (BAA). Please contact customer service to request a quote for the product to be made BAA compliant.

Dimensions



Features

- Traditional, fluorescent tube look; energy-saving LED technology
- Surface-mount ready; accessories available for junction box or suspended mount
- 0-10V dimming
- 50,000-Hour LED lifespan

Ordering Matrix

Family	Length/Wattage		CRI/Color Temp	Voltage	Options
STRP	440	-	850	U	

210 = Single tube 2 ft, 10W
 220 = Double tube 2 ft, 20W
 420 = Single tube 4 ft, 20W
 440 = Double tube 4 ft, 40W

850 = 5000K Cool, 80 CRI
 840 = 4000K Neutral, 80 CRI
 835 = 3500K Warm Neutral, 80 CRI

U = 120-277V

Blank = No Option
 /MVS = Microwave Occupancy Sensor Bi-Level Motion Sensor
 *Available only to STRP440¹
 /E2 = Emergency Backup *Available only to STRP440¹

¹ Available with the STRP440 only