



Project:	Type:
Prepared By:	Date:

Driver Info		LED Info	
Type	Constant Current	Watts	40W
120V	0.40A	Color Temp	4000K (Neutral)
208V	0.19A	Color Accuracy	84 CRI
240V	0.17A	L70 Lifespan	50,000 Hours
277V	0.15A	Lumens	5,539 lm
Input Watts	39W	Efficacy	147.6

Technical Specifications

Compliance

UL Listed:

Suitable for damp locations

IESNA LM-79 & lm-80 Testing:

RAB LED luminaires have been tested by an independent laboratory in accordance with IESNA lm-79 and lm-80

Trade Agreements Act Compliant:

This product is a product of Cambodia and a "designated country" end product that complies with the Trade Agreements Act

DLC Listed:

This product is on the Design Lights Consortium (DLC) Qualified Products List and is eligible for rebates from DLC Member Utilities. Designed to meet DLC 5.1 requirements.

DLC Product Code: P0XBIQDU

DLC Product Code: POL0H1CH

Electrical

Driver:

Class 2, Constant Current, 120-277V, 50-60Hz, 120V:0.34A, 208V: 0.20A, 240V: 0.17A, 277V: 0.15A

Dimming Driver:

Driver includes dimming control wiring for 0-10V dimming systems. Requires separate 0-10V DC dimming circuit. Dims down to 10%.

THD:

5.86% at 120V, 7.63% at 277V

Power Factor:

99.7% at 120V, 97.2% at 277V

Performance

Lifespan:

50,000-Hour LED lifespan based on IES LM-80 results and TM-21 calculations

LED Characteristics

LEDs:

Long-life, high-efficacy, surface-mount LEDs

Color Stability:

LED color temperature is warranted to shift no more than 200K in color temperature over a 5-year period

Color Uniformity:

RAB's range of Correlated Color Temperature follows the guidelines of the American National Standard for Specifications for the Chromaticity of Solid State Lighting (SSL) Products, ANSI C78.377-2017.

Construction

Cold Weather Starting:

The minimum starting temperature is -20°C (-4°F)

Maximum Ambient Temperature:

Suitable for use in up to 50°C (122°F)

Housing:

Sheet metal stamping 24 gauge, cold-rolled steel

Mounting:

Comes standard with surface mounting hardware. Accessories available for suspension hook mounting or J-Box mounting (purchased separately).

Connecting Adaptor:

May link up to 15 fixtures using connecting adaptor included with each fixture for easy installation. Separate connecting plate (order as accessory) recommended for each connection point.

Finish:

Formulated for high durability and long-lasting color

Green Technology:

Mercury and UV free. RoHS-compliant components.

Other

5 Yr Limited Warranty:

The RAB 5-year, limited warranty covers light output, driver performance and paint finish. RAB's warranty is subject to all terms and conditions found at rablighting.com/warranty.

Technical Specifications (continued)

Accessories:

STRP BPLATE - Bracket plate for mechanically joining fixtures, for runs need one less than fixture quantity. [Click here.](#)

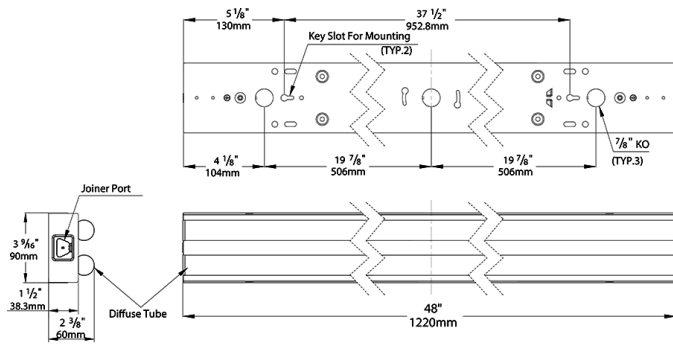
STRP SHOOK - Suspension "S" hook and 9 1/2" chain. Sold in pairs, need 1 pair for each fixture. [Click here.](#)

JBSTRP - White flat cover for junction-box installations, sold individually. [Click here.](#)

Buy American Act Compliance:

RAB values USA manufacturing! Upon request, RAB may be able to manufacture this product to be compliant with the Buy American Act (BAA). Please contact customer service to request a quote for the product to be made BAA compliant.

Dimensions



Features

- Traditional, fluorescent tube look; energy-saving LED technology
- Surface-mount ready; accessories available for junction box or suspended mount
- 0-10V dimming
- 50,000-Hour LED lifespan

Ordering Matrix

Family	Length/Wattage		CRI/Color Temp	Voltage	Options
STRP	440	-	840	U	

210 = Single tube 2 ft, 10W
 220 = Double tube 2 ft, 20W
 420 = Single tube 4 ft, 20W
 440 = Double tube 4 ft, 40W

850 = 5000K Cool, 80 CRI
 840 = 4000K Neutral, 80 CRI
 835 = 3500K Warm Neutral, 80 CRI

U = 120-277V

Blank = No Option
 /MVS = Microwave Occupancy Sensor Bi-Level Motion Sensor
 *Available only to STRP440¹
 /E2 = Emergency Backup *Available only to STRP440¹

¹ Available with the STRP440 only