

INSTRUCTIONS

STRP-LED™ INSTALLATION

RAB®

RAB Lighting is committed to creating high-quality, affordable, well-designed and energy-efficient LED lighting and controls that make it easy for electricians to install and end users to save energy. We'd love to hear your comments. Please call the Marketing Department at 888-RAB-1000 or email: marketing@rablighting.com



IMPORTANT

READ CAREFULLY BEFORE INSTALLING FIXTURE. RETAIN THESE INSTRUCTIONS FOR FUTURE REFERENCE.

RAB fixtures must be wired in accordance with the National Electrical Code and all applicable local codes. Proper grounding is required for safety. THIS PRODUCT MUST BE INSTALLED IN ACCORDANCE WITH THE APPLICABLE INSTALLATION CODE BY A PERSON FAMILIAR WITH THE CONSTRUCTION AND OPERATION OF THE PRODUCT AND THE HAZARDS INVOLVED.

WARNING: Disconnect or turn OFF power at the electrical panel before installing or maintaining fixture. No User serviceable parts inside fixture.

SURFACE MOUNTING

The fixture is suitable for indoor applications for ceiling mounting, as follows:

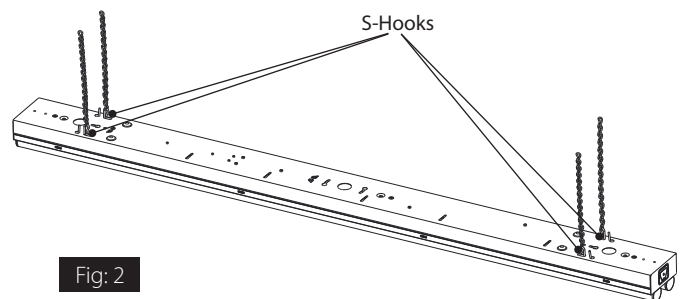
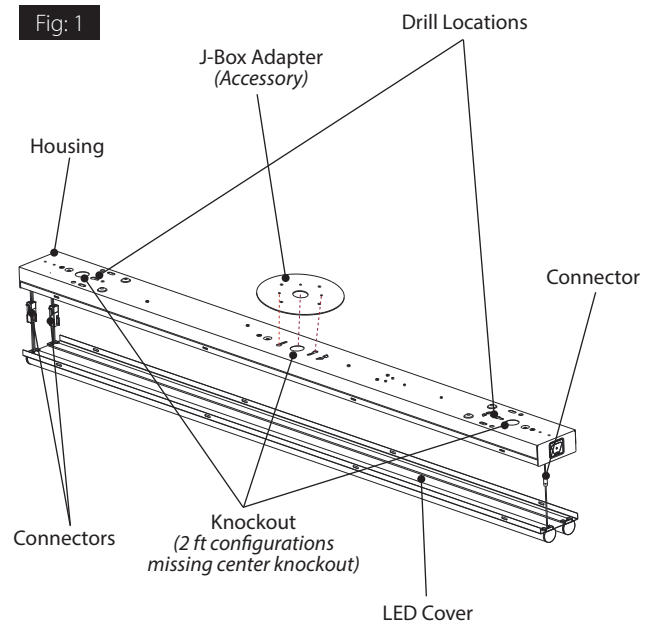
1. Remove **LED Cover** by pushing in/squeezing the fixture's sides and lifting the **LED Cover** to disengage.
2. Locate the line voltage input wires near one of the **Knockouts**. Remove the corresponding **Knockout** to access the fixture's leads. Pull supply wires through the **Knockout** and secure with proper hardware (*by others*).
3. Securely mount the **Housing** directly to a sturdy surface using the correct mounting hardware through the **Drill Locations**, (2 places minimum). See Fig.1. The **J-Box Adapter** (ordered separately as *JBSTRP*, on 4' units only) is used to cover the Junction Box (*by others*).
4. Use correct UL-rated wire connectors as required by the National Electric Code to make electrical splices to fixture leads.
5. Connect the **Connectors**, tidy up the leads, and secure the **LED Cover** to the **Housing**.

WARNING: To prevent wiring damage or abrasion, do not expose wiring to sharp objects.

SUSPENDED MOUNTING

The fixture can be mounted using **S-hooks** (ordered separately as *STRP SHOOK*).

1. Mount **S-hooks** (two S-hooks for the single tube, four S-hooks for the double tube) to the fixture as shown in Fig. 2.
2. For electrical wiring, follow steps 1, 2, and 4 above.



INSTRUCTIONS

STRP-LED™ INSTALLATION



RAB Lighting is committed to creating high-quality, affordable, well-designed and energy-efficient LED lighting and controls that make it easy for electricians to install and end users to save energy. We'd love to hear your comments. Please call the Marketing Department at 888-RAB-1000 or email: marketing@rablighting.com

CONTINUOUS RUN MOUNTING

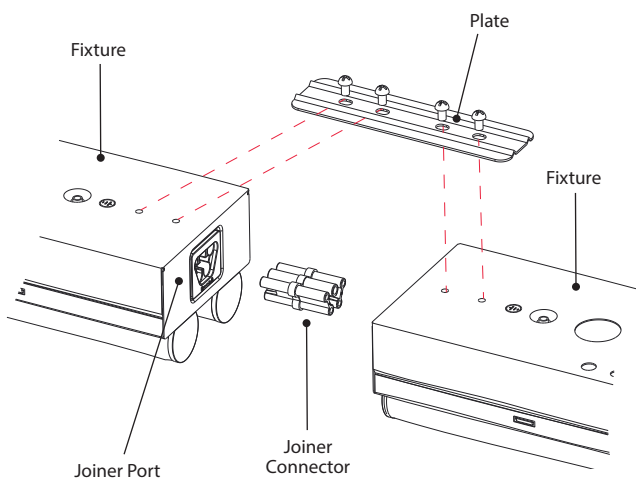
Multiple fixtures can be mounted together:

1. For continuous runs, remove **Joiner Port** cover. Plug together **Fixtures** using the **Joiner Connector** between fixtures for quick connect installation (Fig. 3). Only the first **Fixture** needs to be electrically hardwired from above. For suspended mount, join every two adjacent **Fixtures** by attaching a **Plate** using four screws as shown in Fig. 3. If surface mounted, all joined **Fixtures** must be mechanically secured to the mounting surface and are not required to be attached to a **Plate** with four screws.
2. **NOTE:** The **Joiner Port** at each end of the **Fixtures** is marked "A" or "B"; please note that the "A" connector must be inserted in to the "B" end of the following fixture and vice versa.
3. **CAUTION:** The maximum number of fixtures allowed to be linked together is indicated in the below table.

Catalog #	Maximum Number of Linked Fixtures
STRP210	Up to 30 fixtures
STRP220	Up to 25 fixtures
STRP420	Up to 25 fixtures
STRP440	Up to 15 fixtures

WARNING: To prevent wiring damage or abrasion, do not expose wiring to sharp objects.

Fig. 3



Note: These instructions do not cover all details or variations in equipment nor do they provide for every possible situation during installation, operation or maintenance.

MVS MODELS (Internal)

(optional remote sold separately for custom settings, CAT# MSR1).

Factory Settings:

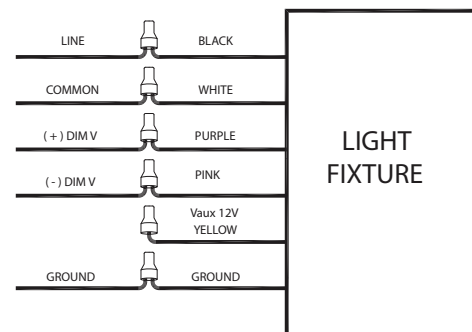
- Detection Area: 100%
- Time delay: 5 seconds
- Daylight: Disabled
- Cut-off Period: 30 seconds
- Dimming level: 10%

0-10V DIMMABLE WIRING

RISK OF FIRE. Universal voltage driver permits operation at 120V through 277V, 50 or 60 Hz. For 0-10V dimming, follow the wiring directions as shown in Fig. 4.

1. Connect the black fixture lead to the **LINE** supply lead.
2. Connect the white fixture lead to the **COMMON** supply lead.
3. Connect the green **GROUND** wire from fixture to supply ground.
4. Connect the purple fixture lead to the (V+) DIM lead.
5. Connect the pink fixture lead to the (V-) DIM lead.
6. Cap the yellow fixture lead, if present. Do NOT connect.

Fig. 4



CLEANING & MAINTENANCE

CAUTION: Be sure fixture temperature is cool enough to touch. Do not clean or maintain while fixture is energized.

1. Clean polycarbonate lens with non-abrasive cleaning solution.
2. Do not open the fixture to clean the LEDs. Do not touch the LEDs.

TROUBLESHOOTING

1. Check that the line voltage at the fixture is correct. Refer to wiring directions in Fig. 4.
2. Be sure the fixture is grounded properly.

INSTRUCTIONS

STRP-LED™ INSTALLATION

RAB®

RAB Lighting is committed to creating high-quality, affordable, well-designed and energy-efficient LED lighting and controls that make it easy for electricians to install and end users to save energy. We'd love to hear your comments. Please call the Marketing Department at 888-RAB-1000 or email: marketing@rablighting.com

BATTERY BACKUP MODELS

WIRING

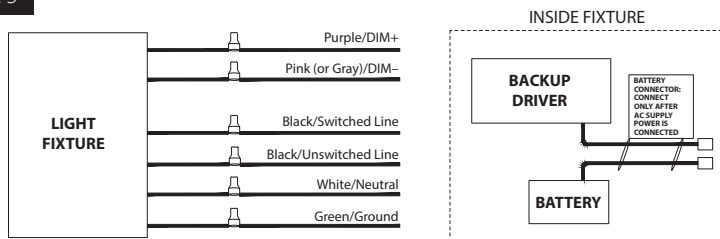
CAUTION: FOR BATTERY BACKUP FIXTURE (STRP440 only). Voltage can be present in **BATTERY**. To prevent high voltage from being present on output leads, Inverter connector must be open. Do not join **BATTERY** connector until installation is complete and AC power is supplied to the emergency driver (Fig. 5).

NOTE: Make sure that the necessary branch circuit wiring is available. An **UNSWITCHED** AC source of power is required. The emergency driver must be fed from the same branch circuit as the LED driver.

CAUTION: Do not use any supply voltage other than 120-277V 50/60 HZ.

1. Connect **UNSWITCHED HOT** fixture lead to **HOT AC** supply line.
2. If using an **UNSWITCHED** circuit, connect **UNSWITCHED** and **SWITCHED** lines together.
3. If using a **SWITCHED** circuit, connect **SWITCHED HOT** AC fixture lead to the external.
4. Connect the pink (or gray) fixture lead to the (V-) DIM lead.
5. For 0-10V Dimming, connect **DIM (+)** and **DIM (-)** to the supply **DIM (+)** and **DIM (-)**.
6. Connect **Ground** lead from the fixture to the supply ground. Do not connect **Ground** to the output leads.
7. All unused leads must be capped and insulated.
8. After installation is complete, supply AC power to the fixture and connect the **BATTERY**.
9. When power is on, the fixture should be on and the Charging Indicator Light should illuminate to indicate the battery is charging.
10. Once the **BATTERY** has charged for at least one hour, a short duration test may be performed by pressing the **Test Button** (Fig. 6).
11. After the battery has charged for 24 hours, a long duration test can be performed by shutting power to the fixture.

FIG. 5



OPERATION

1. When AC power is applied, the charging indicator light is illuminated, indicating that the **BATTERY** is being charged.
2. When power fails, the standby power automatically switches to emergency power (*internal battery*), operating at reduced illumination. The emergency driver supplies 5W of power in standby power for a minimum of 90 minutes.
3. When AC power is restored, the emergency driver automatically returns to charging mode.

MAINTENANCE

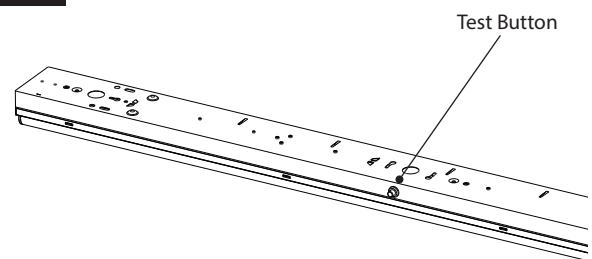
Although no routine maintenance is required to keep the emergency driver functional, it should be checked periodically to ensure that it is working. The following schedule is recommended:

1. Visually inspect the charging indicator light monthly. It should be illuminated.
2. Test the emergency operation of the fixture at 30-day intervals for a minimum of 30 seconds.
3. Conduct a 90-minute discharge test once a year. Fixture will operate at reduced illumination for a minimum of 90 minutes.

TROUBLESHOOTING

1. Is the fixture grounded properly?
2. If the charging indicator light does not illuminate after pressing the **Test Button** (Fig. 6), check if battery is connected properly.

FIG. 6



RAB®

© 2023 RAB LIGHTING Inc.

STRP-IN-0423
73706-RAB

Easy Answers

rablighting.com
Visit our website for product info

Tech Help Line
Call our experts: 888 722-1000

e-mail
Answered promptly - sales@rablighting.com

Free Lighting Layouts
Answered online or by request

RAB WARRANTY: RAB's warranty is subject to all terms and conditions found at rablighting.com/warranty