

Provides motion detection in both a 180° outward pattern as well as underneath with a full 360°. Also features an evening timer mode, which turns the light on for a preset amount of time after sunset. Comes with a full 10-year, no-compromise warranty.

Color: White

Weight: 6.5 lbs

<b>Project:</b>	<b>Type:</b>
<b>Prepared By:</b>	<b>Date:</b>

Driver Info		LED Info	
Type	Constant Current	Watts	18W
120V	0.2A	Color Temp	3000K (Warm)
208V	N/A	Color Accuracy	84 CRI
240V	N/A	L70 Lifespan	100,000 Hours
277V	N/A	Lumens	1,422 lm
Input Watts	22.1W	Efficacy	64.3 lm/W

## Technical Specifications

### Compliance

#### UL Listed:

Suitable for wet locations

### Performance

#### Lifespan:

100,000-Hour LED lifespan based on IES LM-80 results and TM-21 calculations

#### Wattage Equivalency:

2x75W PAR30

### Optical

#### NEMA Type:

7H x 6V Beam Spread

### Construction

#### Airflow:

Airflow technology heat sink for superior cooling

#### Ambient Temperature:

Suitable for use in up to 40°C (104°F)

#### Cold Weather Starting:

The minimum starting temperature is -40°C (-40°F)

#### Mounting:

Heavy-duty mounting arm with "O" ring seal & stainless steel screw. CU4 plate allows the sensor to be mounted under a soffit.

#### Reflector:

Semi-specular anodized aluminum

#### Gaskets:

High-temperature silicone gaskets

#### Finish:

Formulated for high durability and long-lasting color

#### Green Technology:

Mercury and UV free. RoHS-compliant components.

#### Temperature Compensation:

Sensitivity adjusted automatically for consistent detection in hot and cold ambient temperatures

### LED Characteristics

#### LEDs:

18 Watt high performance LEDs

#### Color Consistency:

3-step MacAdam Ellipse binning to achieve consistent fixture-to-fixture color

#### Color Stability:

LED color temperature is warrantied to shift no more than 200K in color temperature over a 5-year period

#### Color Uniformity:

RAB's range of Correlated Color Temperature follows the guidelines of the American National Standard for (SSL) Products, ANSI C78.377-2017.

#### Scanning LEDs:

3 LEDs continually scan back-and-forth

#### Color Matched Lens:

Dark lens with bronze units, white lens with white units

### Electrical

#### Driver:

Constant Current, Class 2, 100 - 277V, 50 - 60 Hz, 100 - 277VAC 0.4 Amps.

#### THD:

10.6% at 120V

#### Surge Protection:

6kV

#### Voltage:

120V AC 60Hz

#### Power Consumption:

1W

## Technical Specifications (continued)

### Wall Switch Manual Override:

Two flip logic prevents activation by momentary power outages. Override resets to auto at dawn. No extra wiring needed.

### Sensor Specifications

---

#### Time Adjustment:

5 seconds to 12 minutes

#### Wide Sensitivity Control:

Adjustable from 100% to 30%

#### Evening Timer:

Keeps lights on for 1-8 hours after dusk. Then sensor is motion activated until dawn.

#### Set it and forget it:

STL360's full coverage pattern reduces need for aiming and adjustment

#### Advanced Detection Logic:

Minimizes false triggers

#### Sensor Lens Masks:

Customized press apply lens mask included to reduce coverage easily

#### Sensor RF Immunity:

Circuits fully shielded for maximum radio frequency immunity

#### Photoelectric Control:

Deactivates lights during daylight. Fully adjustable for 24 hour operation or custom applications.

#### Sensor Detection:

Senses 180° out and 360° down for Total Detection

#### Sensor Switching Capacity:

8 Amps, 750W LED @120 Volts 0.8pF Driver; 8 Amps, 500W LED @120 Volts 0.5pF Driver.

### Other

---

#### Patents:

The FFLED18 design is protected by patents pending in the U.S., Canada, China, Taiwan and Mexico. RAB sensor designs are protected under U.S. and International Intellectual Property laws.

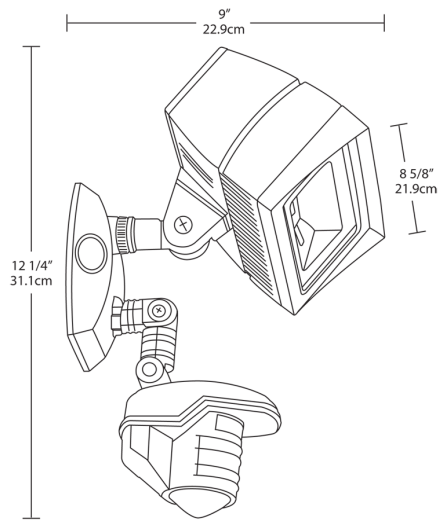
### Warranty:

RAB warrants that our LED products will be free from defects in materials and workmanship for a period of ten (10) years from the date of delivery to the end user, including coverage of light output, color stability, driver performance and fixture finish. RAB's warranty is subject to all terms and conditions found at [rablighting.com/warranty](http://rablighting.com/warranty).

### Buy American Act Compliance:

RAB values USA manufacturing! Upon request, RAB may be able to manufacture this product to be compliant with the Buy American Act (BAA). Please contact customer service to request a quote for the product to be made BAA compliant.

## Dimensions



## Features

- Ultra-efficient LED and optical design
- 10-Year, No-Compromise Warranty
- Senses 180° out + 360° down for total detection
- Radio frequency immunity
- 6000 volt surge protection
- Temperature compensation