



<b>Project:</b>	<b>Type:</b>
<b>Prepared By:</b>	<b>Date:</b>

Driver Info		LED Info	
Type	Constant Current	Watts	19/14/10W
120V	0.16A/0.12A/0.08A	Color Temp	3500K/4000K/5000K
208V	0.09A/0.07A/0.05A	Color Accuracy	83-85 CRI
240V	0.08A/0.06A/0.04A	L70 Lifespan	50,000 Hours
277V	0.07A/0.05A/0.04A	Lumens	1,552-2,998 lm
Input Watts	10-20.6W	Efficacy	140.6-160.6 lm/W

**Technical Specifications**

**Field Adjustability**

**Field Adjustable:**

Field Adjustable Light Output:  
19W/14W/10W (factory default 19W)  
Color temperature selectable by 5000K, 4000K and 3500K (factory default 4000K)

**Compliance**

**UL Listed:**

Suitable for damp locations

**DLC Listed:**

This product is on the Design Lights Consortium (DLC) Qualified Products List and is eligible for rebates from DLC Member Utilities. Designed to meet DLC 5.1 requirements.  
DLC Product Code: S-BY8SM3 (Direct Linear Ambient Luminaires)  
DLC Product Code: S-DX6VKR (Stairwell and Passageway Luminaires)

**LED Characteristics**

**LEDs:**

Long-life, high-efficacy, discrete, surface-mount LEDs

**Color Uniformity:**

RAB's range of Correlated Color Temperature follows the guidelines of the American National Standard for Specifications for the Chromaticity of Solid State Lighting (SSL) Products, ANSI C78.377-2017.

**Color Consistency:**

4-step MacAdam Ellipse binning to achieve consistent fixture-to-fixture color

**Construction**

**Ambient Temperature :**

Max Power Temp Rating: 50°C (122°F)  
Middle Power Temp Rating: 55°C (132°F)  
Low Power Temp Rating: 62°C (144°F)

**Cold Weather Starting:**

The minimum starting temperature is -20°C (-4°F)

**Lens:**

Polycarbonate lens

**Housing:**

Sheet metal

**Mounting:**

Surface mounting standard. V-Hooks and Chain mounting available (ordered separately, SR VHOOK KIT).

**Green Technology:**

Mercury and UV free. RoHS-compliant components.

**Finish:**

Formulated for high durability and long-lasting color

**Performance**

**Lifespan:**

50,000-Hour LED lifespan based on IES LM-80 results and TM-21 calculations

**Wattage Equivalency:**

19W: (1) F32T8  
14W: (1) F32T8  
10W: (1) F32T8

**Electrical**

**Dimming Driver:**

Driver includes dimming control wiring for 0-10V dimming systems. Requires separate 0-10V DC dimming circuit. Dims down to 10%.

**THD:**

6.33% at 120V, 12.02% at 277V

**Power Factor:**

99.8% at 120V, 98.22% at 277V

**Surge Protection:**

L-N 1KV, L/N-G 2KV

**Technical Specifications (continued)**

**Other**

**5 Yr Limited Warranty:**

The RAB 5-year, limited warranty covers light output, driver performance and paint finish. RAB's warranty is subject to all terms and conditions found at [rablighting.com/warranty](http://rablighting.com/warranty).

**Accessories:**

Suspended Mounting Kit: SR VHOOK KIT  
 Surface Mount Kit: SR JOIN KIT

**Note:**

All values are typical (tolerance +/- 10%)

**Buy American Act Compliance:**

RAB values USA manufacturing! Upon request, RAB may be able to manufacture this product to be compliant with the Buy American Act (BAA). Please contact customer service to request a quote for the product to be made BAA compliant.

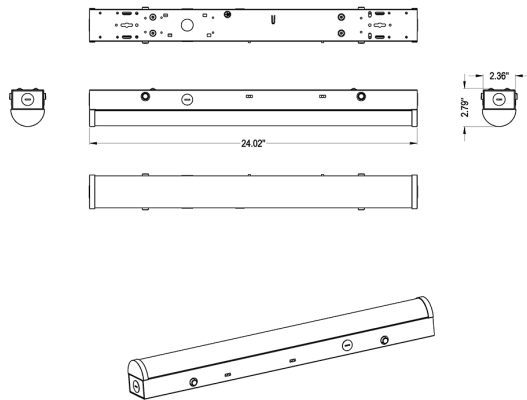
**Lightcloud**

**Lightcloud Blue Sensor Installed:**

Occupancy, vacancy, and closed loop daylight harvesting in one versatile sensor. In addition control any fixture in your Lightcloud Blue integrated/embedded networked lighting luminaire-level control system. LLLC - capable of switching, 0-10V dimming, power/energy monitoring. Can also be used to extend the range of the Lightcloud Blue utilizing a "BLE Mesh" network communication protocols. The Lightcloud Blue sensor can be attached to the fixture provided an unobstructed view of the coverage area is available.

DLC system - N1XMLOEATBA  
[Learn more about Lightcloud.](#)

**Dimensions**



**Features**

- 50,000-Hour LED lifespan
- 120-277V standard
- 0-10V dimming, standard
- 5-Year, limited warranty

Ordering Matrix

Family	Size/Wattage	Color Temp	Mounting	Finish	Options
SR	2				/LCBS
	2 = 2ft (19/14/10W) 4L = 4ft (28/21/14W) 4 = 4ft (40/30/20W) 8 = 8ft (60/50/40W) 8H = 8ft (85/75/54W)	Blank = 3500K/4000K/5000K CCT Adjustable	Blank = J-Box Adaptor	Blank = White	Blank = No Option /E = Battery Back Up /MVS = Microwave Occupancy Sensor /PIR = Passive Infrared Occupancy Sensor /LCBS = Lightcloud® Blue Enabled w/ PIR Sensor /LCBS/MVS = Lightcloud® Blue Enabled w/ MVS Sensor /MVS/E = Microwave Occupancy Sensor w/ Battery Back Up /PIR/E = Passive Infrared Occupancy Sensor w/ Battery Back Up /LCBS/E = Lightcloud® Blue PIR Sensor w/ Battery Back Up /LCBS/MVS/E = Lightcloud® Blue MVS Sensor w/ Battery Back Up