

Project:	Type:
Prepared By:	Date:

Driver Info		LED Info	
Type	Constant Current	Watts	19/14/10W
120V	0.16A/0.12A/0.08A	Color Temp	3500K/4000K/5000K
208V	0.09A/0.07A/0.05A	Color Accuracy	83-85 CRI
240V	0.08A/0.06A/0.04A	L70 Lifespan	50,000 Hours
277V	0.07A/0.05A/0.04A	Lumens	1,552-2,998 lm
Input Watts	10-20.6W	Efficacy	140.6-160.6 lm/W

Technical Specifications

Field Adjustability

Field Adjustable:

Field Adjustable Light Output:
19W/14W/10W (factory default 19W)
Color temperature selectable by 5000K, 4000K and 3500K (factory default 4000K)

Compliance

UL Listed:

Suitable for damp locations

DLC Listed:

This product is on the Design Lights Consortium (DLC) Qualified Products List and is eligible for rebates from DLC Member Utilities. Designed to meet DLC 5.1 requirements.
DLC Product Code: S-BY8SM3 (Direct Linear Ambient Luminaires)
DLC Product Code: S-DX6VKR (Stairwell and Passageway Luminaires)

LED Characteristics

LEDs:

Long-life, high-efficacy, discrete, surface-mount LEDs

Color Uniformity:

RAB's range of Correlated Color Temperature follows the guidelines of the American National Standard for Specifications for the Chromaticity of Solid State Lighting (SSL) Products, ANSI C78.377-2017.

Color Consistency:

4-step MacAdam Ellipse binning to achieve consistent fixture-to-fixture color

Performance

Lifespan:

50,000-Hour LED lifespan based on IES LM-80 results and TM-21 calculations

Wattage Equivalency:

19W: (1) F32T8
14W: (1) F32T8
10W: (1) F32T8

Electrical

Dimming Driver:

Driver includes dimming control wiring for 0-10V dimming systems. Requires separate 0-10V DC dimming circuit. Dims down to 10%.

THD:

6.33% at 120V, 12.02% at 277V

Power Factor:

99.8% at 120V, 98.22% at 277V

Surge Protection:

L-N 1KV, L/N-G 2KV

Battery Backup:

Battery backup will operate the fixture for 90 minutes if power fails. Wired for 120-277V.

Battery Backup Light Loss Factor:

19W: 0.223
14W: 0.276
10W: 0.42

Construction

Cold Weather Starting:

The minimum starting temperature is 0°C (32°F)

Maximum Ambient Temperature:

Suitable for use in up to 50°C (122°F)

Lens:

Polycarbonate lens

Housing:

Sheet metal

Mounting:

Surface mounting standard. V-Hooks and Chain mounting available (ordered separately, SR VHOOK KIT).

Green Technology:

Mercury and UV free. RoHS-compliant components.

Technical Specifications (continued)

Finish:

Formulated for high durability and long-lasting color

Other

5 Yr Limited Warranty:

The RAB 5-year, limited warranty covers light output, driver performance and paint finish. RAB's warranty is subject to all terms and conditions found at rablighting.com/warranty.

Accessories:

Suspended Mounting Kit: SR VHOOK KIT
Surface Mount Kit: SR JOIN KIT

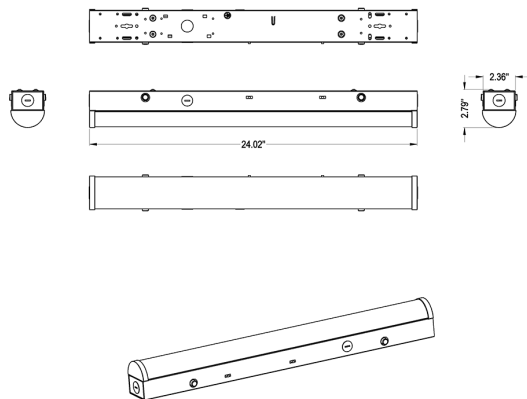
Note:

All values are typical (tolerance +/- 10%)

Buy American Act Compliance:

RAB values USA manufacturing! Upon request, RAB may be able to manufacture this product to be compliant with the Buy American Act (BAA). Please contact customer service to request a quote for the product to be made BAA compliant.

Dimensions



Features

- 50,000-Hour LED lifespan
- 120-277V standard
- 0-10V dimming, standard
- 5-Year, limited warranty

Ordering Matrix

Family	Size/Wattage	Color Temp	Mounting	Finish	Options
SR	2				/E
	2 = 2ft (19/14/10W) 4L = 4ft (28/21/14W) 4 = 4ft (40/30/20W) 8 = 8ft (60/50/40W) 8H = 8ft (85/75/54W)	Blank = 3500K/4000K/5000K CCT Adjustable	Blank = J-Box Adaptor	Blank = White	Blank = No Option /E = Battery Back Up /MVS = Microwave Occupancy Sensor /PIR = Passive Infrared Occupancy Sensor /LCBS = Lightcloud® Blue Enabled w/ PIR Sensor /LCBS/MVS = Lightcloud® Blue Enabled w/ MVS Sensor /MVS/E = Microwave Occupancy Sensor w/ Battery Back Up /PIR/E = Passive Infrared Occupancy Sensor w/ Battery Back Up /LCBS/E = Lightcloud® Blue PIR Sensor w/ Battery Back Up /LCBS/MVS/E = Lightcloud® Blue MVS Sensor w/ Battery Back Up