



Two adjustable 13W LED floodlights. Equivalent to 2x75W BR30/halogen/wide floods. Comes with sensor with 180° detection pattern at up to 30 ft.

Color: White

Weight: 3.1 lbs

<b>Project:</b>	<b>Type:</b>
<b>Prepared By:</b>	<b>Date:</b>

Driver Info		LED Info	
Type	Constant Current	Watts	26W
120V	0.20A	Color Temp	3000K (Warm)
208V	N/A	Color Accuracy	83 CRI
240V	N/A	L70 Lifespan	60,000 Hours
277V	N/A	Lumens	2,546 lm
Input Watts	21.8W	Efficacy	116.8 lm/W

## Technical Specifications

### Compliance

#### UL Listed:

Suitable for wet locations. Suitable for mounting within 4 feet of the ground.

#### DLC Listed:

This product is on the Design Lights Consortium (DLC) Qualified Products List and is eligible for rebates from DLC Member Utilities. Designed to meet DLC 5.1 requirements.

DLC Product Code: P1LUYKII

### Optical

#### NEMA Type:

6H x 6V Beam Spread

### Construction

#### Cold Weather Starting:

The minimum starting temperature is -40°C (-40°F)

#### Maximum Ambient Temperature:

Suitable for use in up to 40°C (104°F)

#### Housing:

Precision die-cast aluminum housing, lens frame and mounting arm

#### Reflector:

Vacuum-metallized polycarbonate

#### Lens:

Diffused glass for smooth, even light distribution

#### Mounting:

Pre-Assembled and wired for easy mounting EZ Hang hook. Compatible with round and rectangular surface mount boxes as well as recessed boxes.

#### Gaskets:

High-temperature silicone gaskets

#### Finish:

Our environmentally friendly polyester powder coatings are formulated for high-durability and long-lasting color

#### Green Technology:

Mercury and UV free. RoHS-compliant components.

#### Other

##### Note:

All values are typical (tolerance +/- 10%)

#### 5 Yr Limited Warranty:

The RAB 5-year, limited warranty covers light output, driver performance and paint finish. RAB's warranty is subject to all terms and conditions found at [rablighting.com/warranty](http://rablighting.com/warranty).

#### Buy American Act Compliance:

RAB values USA manufacturing! Upon request, RAB may be able to manufacture this product to be compliant with the Buy American Act (BAA). Please contact customer service to request a quote for the product to be made BAA compliant.

### LED Characteristics

#### LEDs:

Long-life, high-efficacy, surface-mount LEDs

#### Color Uniformity:

RAB's range of Correlated Color Temperature follows the guidelines of the American National Standard for Specifications for the Chromaticity of Solid State Lighting (SSL) Products, ANSI C78.377-2017.

### Performance

#### Wattage Equivalency:

2x75W PAR30

### Sensor Specifications

#### Switching Capacity:

500W of LED LESLIE 13W floods

#### Sensor Power Consumption (when idle):

1 Watt

#### Time Adjustment:

5 seconds to 15 minutes

## Technical Specifications (continued)

**Sensor LED:**

Sensor indicator LED glows red day & night for "on guard" deterrence

**Surge Protection:**

Withstands up to 3000 Volts

**"No Hands" Auto Testing:**

Auto mode starts after 4 minutes of testing. No adjustment needed.

**Manual Override:**

Double flip wall switch logic prevents activation by momentary power outages. Override resets to auto at dawn. No extra wiring needed.

**RF Immunity:**

Circuits fully shielded for maximum radio frequency immunity

**Photoelectric Control:**

Deactivates lights during daylight. Fully adjustable for 24-hour operation or custom applications.

**Adjustments:**

Time, ambient light & sensitivity

**Electrical**

---

**Driver:**

120V driver, 50/60/ Hz, 120V: 0.20A

**THD:**

10.9% at 120V

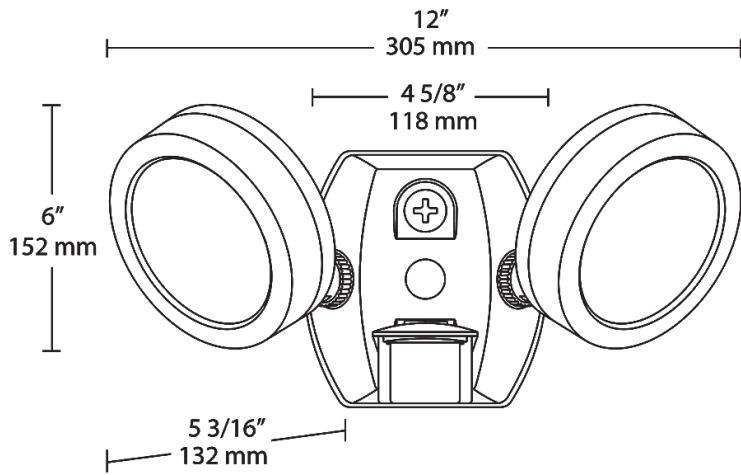
**Power Factor:**

99% at 120V

**Voltage:**

120VAC, 60Hz

**Dimensions**



**Features**

- Equivalent to two 75W halogen BR30 wide floods
- 6H x 6V beam distribution delivers ample light
- Diffused lens for smooth, even light distribution
- Adjustable knuckle
- Sensor with 180° detection pattern at up to 30 ft.
- 60,000-Hour LED lifespan

**Ordering Matrix**

Family	Wattage	Color Temp	Finish
SMSLES	2X13	Y	W

**2X13** = 2 x 13W  
**Blank** = 5000K Cool  
**N** = 4000K Neutral  
**Y** = 3000K Warm  
**Blank** = Bronze  
**W** = White

<sup>1</sup> Not available with sensor.