



<b>Project:</b>	<b>Type:</b>
<b>Prepared By:</b>	<b>Date:</b>

Wall or ceiling mount to control 500 Watts incandescent or 100 Watts Fluorescent lighting. Vandalproof lens. Full 180° view . Cover not included.

Color: White

Weight: 0.4 lbs

**Technical Specifications**

**Compliance**

**UL Listed:**

Suitable for wet locations

**Construction**

**Compatibility:**

Compatible with most electronic ballasts. Not compatible with instant start ballasts.

**Electrical**

**Voltage:**

120V AC 60Hz

**Manual Override:**

Double flip wall switch logic prevents activation by brief power outages. Resets after 6 hours. No extra wiring needed.

**Surge Protection:**

Withstands up to 3000 volts

**RF Immunity:**

Circuits fully shielded for maximum radio frequency immunity

**Incandescent Watts Switched:**

500W @ 120 volts

**Fluorescent Watts Switched:**

250W @ 120 volts

**Ratings:**

5 amps

**Power Consumption:**

Negligible

**Manual Switch:**

None

**Switching Capacity:**

Relay On/Off Model Switches 240W when lights are mounted to sensor. 500W Incandescent or 240W Fluorescent of remotely mounted lighting @ 120 volts.

**Sensor Specifications**

**Time Adjustment:**

5 seconds to 15 minutes

**Quick Test Time:**

5 second test time for fast installation. Works day or night.

**"No Hands" Auto Testing:**

Auto mode starts after 4 minutes of testing. No adjustment needed.

**Photoelectric Control:**

Deactivates lights during daylight. Fully adjustable for 24 hour operation or custom applications.

**Time Delay:**

5 seconds to 15 minutes

**Ambient Light Sensing:**

Adjustable

**Adjustments:**

Time, ambient light & sensitivity

**Detection:**

180° detection pattern

**LED Characteristics**

**LED Detection Indicator:**

LED glows red day & night for "on guard" deterrence

**Other**

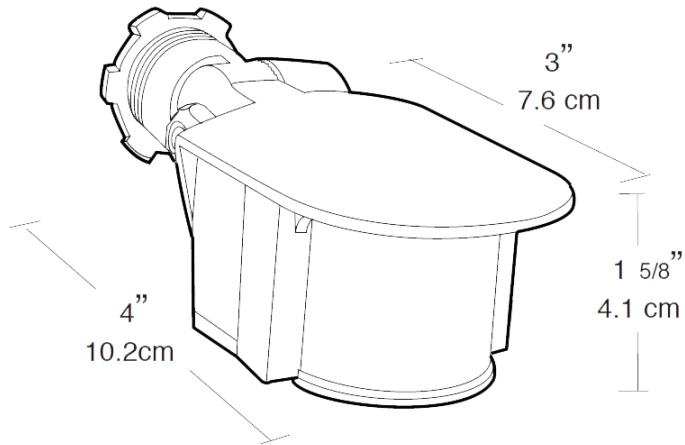
**Warranty:**

5-year sensor warranty

**Buy American Act Compliance:**

RAB values USA manufacturing! Upon request, RAB may be able to manufacture this product to be compliant with the Buy American Act (BAA). Please contact customer service to request a quote for the product to be made BAA compliant.

## Dimensions



## Features

- Surge protected
- 180° detection pattern
- Quick installation with 5 second test time and auto test logic
- LED "on guard" indicator
- Protected manual override with auto reset after 8 hours or at dawn