



<b>Project:</b>	<b>Type:</b>
<b>Prepared By:</b>	<b>Date:</b>

Driver Info		LED Info	
Type	Constant Current	Watts	15W
120V	0.145A	Color Temp	3000K (Warm)
208V	0.08A	Color Accuracy	90 CRI
240V	0.07A	L70 Lifespan	50,000 Hours
277V	0.06A	Lumens	1,029 lm
Input Watts	15W	Efficacy	60

**Technical Specifications**

**Compliance**

**UL Listed & UL Classified:**

Suitable for wet locations

**Energy Star Approved:**

ENERGY STAR® Version 2.2 Certified

**Model Number for Certification:**

DLS0038

**California Title 24:**

Can be used to conform with the requirements of California Title 24 Part 6.

**Electrical**

**Dimming Driver:**

TRIAC compatible dimmer with dimming as low as 5%. [See dimmer compatibility guide here.](#)

**Power Factor:**

≥0.9

**Input Voltage:**

120V through 277V

**Operating Frequency (Hz):**

60Hz

**Performance**

**Lifespan:**

50,000-Hour LED lifespan based on IES LM-80 results and TM-21 calculations

**Wattage Equivalency:**

75W Incandescent

**Construction**

**IC Rated:**

Suitable for direct contact with insulation

**Air Tight:**

Housing certified Air Tight as per ASTM E283

**Housing:**

Constructed from durable aluminum that provides thermal cooling. Housing frame built from non-electrically conductive polycarbonate.

**Cold Weather Starting:**

The minimum starting temperature is -30°C (-22°F)

**Maximum Ambient Temperature:**

Suitable for use in up to 40°C (104°F)

**Lens:**

Diffuse Polystyrene lens produces smooth uniform light that is glare free

**Green Technology:**

Mercury and UV free. RoHS-compliant components.

**Mounting:**

Torsion springs allow for secure installation. Retrofit mounting hardware sold separately. [SM7UNV/ACCC](#) - 7" 120-277V Surface Mount Retrofit Hardware.

**Finish:**

Matte White

**Optical**

**Beam Angle:**

120°

**LED Characteristics**

**LEDs:**

Long-life, high-efficacy, surface-mount LEDs

**R9 Value:**

High color performance with R9 greater than or equal to 50

**Flicker:**

Silent and flicker free operations of less than 30%

## Technical Specifications (continued)

### Other

#### Warranty:

RAB warrants that our LED products will be free from defects in materials and workmanship for a period of five (5) years from the date of delivery to the end user, including coverage of light output, color stability, driver performance and fixture finish. RAB's warranty is subject to all terms and conditions found at [rablighting.com/warranty](http://rablighting.com/warranty).

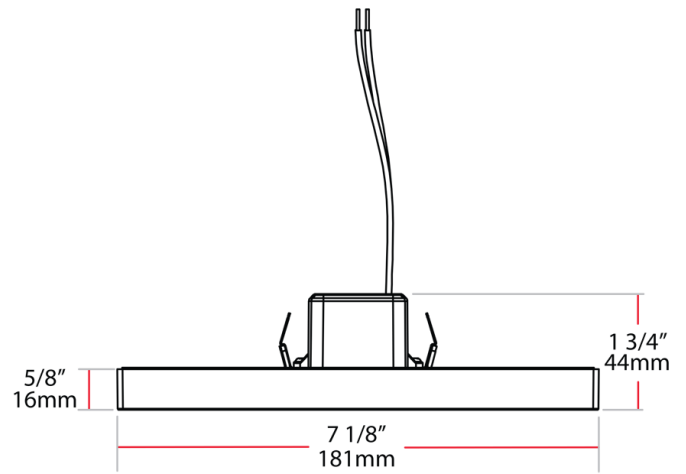
#### Buy American Act Compliance:

RAB values USA manufacturing! Upon request, RAB may be able to manufacture this product to be compliant with the Buy American Act (BAA). Please contact customer service to request a quote for the product to be made BAA compliant.

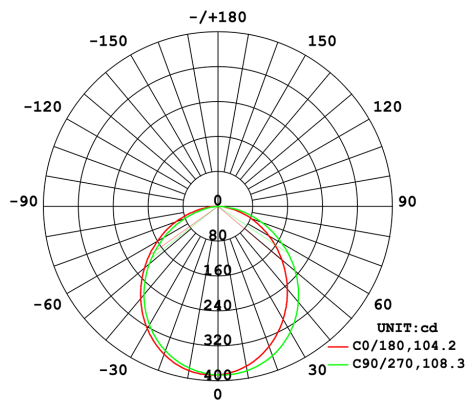
## Case and Pallet Dimensions

	QTY	LENGTH (in)	WIDTH (in)	HEIGHT (in)
CASE	6	20.55	6.61	8
PALLET	420	9.92	1.93	42.32

## Dimension



## Light Distribution



## Ordering Matrix

Family	Size	Shape	Wattage	CRI/Color Temp	Voltage	Dimming	Finish
SM	7	S	15	930	UNV	T	W
	5.5 = 5.5" 7 = 7" 9 = 9"	R = Round S = Square	10 = 750lm-850lm 15 = 900lm-1100lm 20 = 1200lm-1700lm	940 = 90 CRI, 4000K Neutral 930 = 90 CRI, 3000K Warm 927 = 90 CRI, 2700K Residential Warm 840 = 80 CRI, 4000K Neutral 830 = 80 CRI, 3000K Warm 827 = 80 CRI, 2700K Residential Warm	120 = 120V UNV = 120-277V	Blank = Blank <sup>1</sup> T = TRIAC Dimming	W = White