



Color: White

Weight: 1.8 lbs

<b>Project:</b>	<b>Type:</b>
<b>Prepared By:</b>	<b>Date:</b>

Driver Info		LED Info	
Type	Constant Current	Watts	12W
120V	0.12A	Color Temp	Field Adjustable
208V	N/A		2700K/3000K/3500K/4000K/5000K
240V	N/A	Color Accuracy	90 CRI
277V	N/A	L70 Lifespan	50,000 Hours
Input Watts	12W	Lumens	995-1067 lm
		Efficacy	83-90 lm/W

## Technical Specifications

### Performance

#### Description:

The SM3N1 is a versatile and flexible option offering 5 field selectable color temperatures with a quality back-lit LED design. With 3 mounting options built into a single fixture choose the mounting option that fits best: Junction Box, Recessed Housing, or Direct Ceiling.

#### Product Type:

Surface & Flush Mounts

#### Input Wattage:

12W

#### Efficacy:

5000K: 86lm/W  
4000K: 89lm/W  
3500K: 90lm/W  
3000K: 86lm/W  
2700K: 83lm/W

#### L70 Lifespan:

50,000-Hour LED lifespan based on IES LM-70 results

#### Wattage Equivalency:

Equivalent to 75W CFL

### Compliance

#### UL Listed:

Suitable for wet locations

#### Fixture Rating:

Enclosed

#### IC Rated:

Suitable for direct contact with insulation

#### Energy Star Approved:

ENERGY STAR® Version 2.2 Certified

#### Energy Star ID:

2394829

### LED Characteristics

#### Color Accuracy (CRI):

90 CRI

#### R9 Value:

High color performance with R9 greater than 50

### Electrical

#### Dimming Driver:

TRIAC compatible dimmer with dimming as low as 10%.

#### THD:

<20%

### Power Factor:

>0.9

### Input Voltage:

120V

### Operating Frequency:

60Hz

### Construction

#### Material:

Polycarbonate

#### Base Type:

E26 Edison

#### Shape:

Round

### Operating Temperature:

-20°C (-4°F) to 40°C (104°F)

#### Size:

6"

### Optical

#### Beam Angle:

130°

**Technical Specifications (continued)**

**Other**

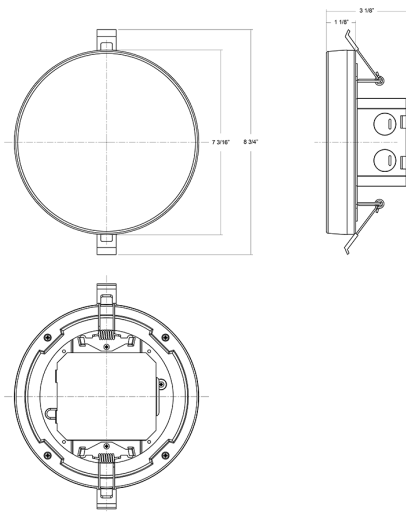
**Warranty:**

RAB warrants that our LED products will be free from defects in materials and workmanship for a period of five (5) years from the date of delivery to the end user, including coverage of light output, color stability, driver performance and fixture finish. RAB's warranty is subject to all terms and conditions found at [rablighting.com/warranty](http://rablighting.com/warranty).

**Buy American Act Compliance:**

RAB values USA manufacturing! Upon request, RAB may be able to manufacture this product to be compliant with the Buy American Act (BAA). Please contact customer service to request a quote for the product to be made BAA compliant.

**Dimensions**



**Features**

- 3in1 mounting options: Retrofit, Surface Mount, Recessed
- Edge-lit
- 5 color temperatures in 1 SKU (2700K, 3000K, 3500K, 4000K, 5000K)
- Dimmable down to 10% on triac dimmers, see Dimmer Compatibility List
- Suitable for indoors or outdoor applications in dry, damp, and wet environments
- Anti-UV plastic extends the life of the housing
- IC and airtight rated

**Ordering Matrix**

Family	Size	Shape	Wattage	CRI/Color Temp	Voltage	Finish	LEDs
SM3N1	6	R	12	9CCT	120	W	BL
	4 = 4" 6 = 6"	R = Round	10 = 10W 12 = 12W	9CCT = 90 CRI, CCT CCT Adjustable	120 = 120V	W = White	EL = Edge-Lit BL = Back-Lit