



Color: White

Weight: 1.0 lbs

Project:	Type:
Prepared By:	Date:

Driver Info		LED Info	
Type	Constant Current	Watts	10W
120V	0.10A	Color Temp	Field Adjustable 2700K/3000K/3500K/4000K/5000K
208V	N/A	Color Accuracy	90 CRI
240V	N/A	L70 Lifespan	50,000 Hours
277V	N/A	Lumens	819-939 lm
Input Watts	10W	Efficacy	82-94 lm/W

Technical Specifications

Performance

Description:

The SM3N1 is a versatile and flexible option offering 5 field selectable color temperatures with a quality back-lit LED design. With 3 mounting options built into a single fixture choose the mounting option that fits best: Junction Box, Recessed Housing, or Direct Ceiling.

Product Type:

Surface & Flush Mounts

Input Wattage:

10W

Lumens:

5000K: 939lm
4000K: 934lm
3500K: 904lm
3000K: 861lm
2700K: 819lm

Efficacy:

5000K: 94lm/W
4000K: 93lm/W
3500K: 90lm/W
3000K: 86lm/W
2700K: 82lm/W

L70 Lifespan:

50,000-Hour LED lifespan based on IES LM-70 results

Wattage Equivalency:

Equivalent to 60W CFL

Compliance

UL Listed:

Suitable for wet locations

Fixture Rating:

Enclosed

IC Rated:

Suitable for direct contact with insulation

Energy Star Approved:

ENERGY STAR® Version 2.2 Certified

Energy Star ID:

2394831

LED Characteristics

Color Accuracy (CRI):

90 CRI

R9 Value:

High color performance with R9 greater than 50

Electrical

Dimming Driver:

TRIAC compatible dimmer with dimming as low as 10%.

THD:

<20%

Power Factor:

>0.9

Input Voltage:

120V

Operating Frequency:

60Hz

Construction

Material:

Polycarbonate

Base Type:

E26 Edison

Shape:

Round

Operating Temperature:

-20°C (-4°F) to 40°C (104°F)

Size:

4"

Optical

Beam Angle:

130°

Technical Specifications (continued)

Other

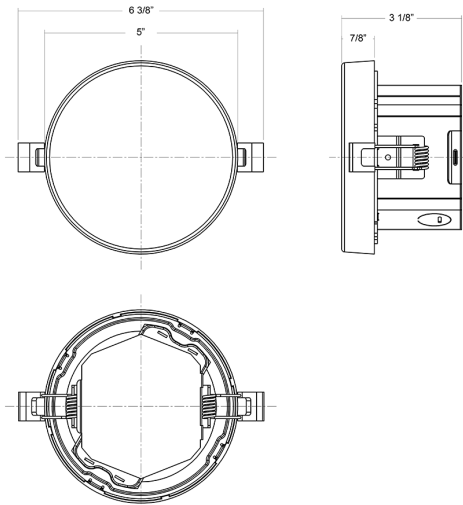
Warranty:

RAB warrants that our LED products will be free from defects in materials and workmanship for a period of five (5) years from the date of delivery to the end user, including coverage of light output, color stability, driver performance and fixture finish. RAB's warranty is subject to all terms and conditions found at rablighting.com/warranty.

Buy American Act Compliance:

RAB values USA manufacturing! Upon request, RAB may be able to manufacture this product to be compliant with the Buy American Act (BAA). Please contact customer service to request a quote for the product to be made BAA compliant.

Dimensions



Features

3in1 mounting options: Retrofit, Surface Mount, Recessed

Edge-lit

5 color temperatures in 1 SKU (2700K, 3000K, 3500K, 4000K, 5000K)

Dimmable down to 10% on triac dimmers, see Dimmer Compatibility List

Suitable for indoors or outdoor applications in dry, damp, and wet environments

Anti-UV plastic extends the life of the housing

IC and airtight rated

Ordering Matrix

Family	Size	Shape	Wattage	CRI/Color Temp	Voltage	Finish	LEDs
SM3N1	4	R	10	9CCT	120	W	BL
	4 = 4" 6 = 6"	R = Round	10 = 10W 12 = 12W	9CCT = 90 CRI, CCT CCT Adjustable	120 = 120V	W = White	EL = Edge-Lit BL = Back-Lit