

<b>Project:</b>	<b>Type:</b>
<b>Prepared By:</b>	<b>Date:</b>

Driver Info		LED Info	
Type	Constant Current	Watts	9W
120V	0.09A	Color Temp	3000K
208V	N/A	Color Accuracy	90 CRI
240V	N/A	L70 Lifespan	50,000 Hours
277V	N/A	Lumens	750 lm
Input Watts	N/A	Efficacy	83.3

## Technical Specifications

### Performance

#### Description:

The SM34 is an easy to install, flexible, affordable, and stylish option for new construction or retrofit into an existing junction box or recessed housing. Mounting kit for recessed housing sold separately.

#### Product Type:

Surface & Flush Mounts

#### Input Wattage:

9W

#### Lumens (Nominal):

750lm

#### Efficacy:

83.3lm/W

#### L70 Lifespan:

50,000-Hour LED lifespan based on IES LM-70 results

### Compliance

#### UL Listed:

Suitable for wet locations

#### Energy Star Approved:

ENERGY STAR® Version 2.2 Certified

#### Energy Star ID:

2389849

#### Trade Agreements Act Compliant:

This product is a product of Cambodia and a "designated country" end product that complies with the Trade Agreements Act

### Electrical

#### Dimming Driver:

TRIAC compatible dimmer with dimming as low as 10%.

#### THD:

≤20%

#### Power Factor:

≥0.9

#### Flicker:

≤30%

#### Input Voltage:

120V

#### Operating Frequency:

60Hz

### Construction

#### Material:

Plastic

#### Trim Style:

Smooth Trim

#### Shape:

Round

#### Mounting:

Surface and recessed mount

#### Operating Temperature:

-20°C (-4°F) to 40°C (104°F)

#### Size:

7"

### LED Characteristics

#### R9 Value:

High color performance with R9 greater than or equal to 50

### Other

#### Warranty:

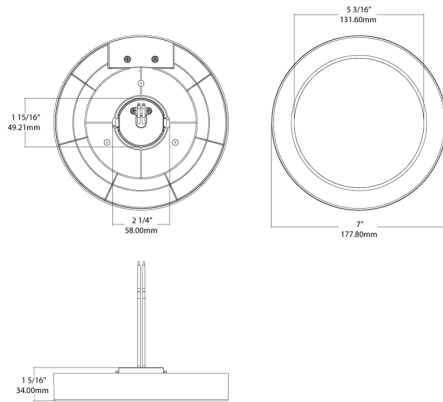
RAB warrants that our LED products will be free from defects in materials and workmanship for a period of five (5) years from the date of delivery to the end user, including coverage of light output, color stability, driver performance and fixture finish. RAB's warranty is subject to all terms and conditions found at [rablighting.com/warranty](http://rablighting.com/warranty).

## Technical Specifications (continued)

### Buy American Act Compliance:

RAB values USA manufacturing! Upon request, RAB may be able to manufacture this product to be compliant with the Buy American Act (BAA). Please contact customer service to request a quote for the product to be made BAA compliant.

## Dimensions



## Features

- Quick push in and rotate installation concept for easy fit into J-Box
- Includes E26 cap with friction clips & V-type spring as an extra accessory
- Matte white, fade resistant polyester trim design
- High performance >90CRI to provide high color performance
- Dimmable on Triac dimmers

## Ordering Matrix

Family	Size	Shape	Wattage	CRI/Color Temp	Voltage	Finish
SM34	7	R	9	930	120	W
	5 = 5" 7 = 7"	R = Round	7 = 7W 9 = 9W	930 = 90 CRI, 3000K	120 = 120V	W = White