



Color: Bronze

Weight: 0.0 lbs

Project:	Type:
Prepared By:	Date:

Driver Info		LED Info	
Type	Constant Current	Watts	3.5/5/7W
120V	0.02A/0.03A/0.05A	Color Temp	3000K
208V	0.02A/0.03A/0.04A	Color Accuracy	80-81 CRI
240V	0.02A/0.03A	L70 Lifespan	100,000 Hours
277V	0.02A/0.03A	Lumens	301-824 lm
Input Watts	3.6-6.7W	Efficacy	83.6-123 lm/W

Technical Specifications

Field Adjustability

Field Adjustable:

Field Adjustable Light Output:
7/5/3.5W (factory default 5W)
Color temperature selectable 3000K, 4000K and 5000K (factory default 4000K)
On/Off Photocell (factory default "Off")

Performance

Lifespan:

100,000-Hour LED lifespan based on IES LM-80 results and TM-21 calculations

LED Characteristics

LEDs:

Long-life, high-efficiency, surface-mount LEDs

Electrical

Driver:

7W: Constant Current, Class 1, 120-277V, 50/60 Hz, 120V: 0.05A, 208V: 0.04A, 240V: 0.03A, 277V: 0.03A
5W: Constant Current, Class 1, 120-277V, 50/60 Hz, 120V: 0.03A, 208V: 0.03A, 240V: 0.03A, 277V: 0.02A
3.5W: Constant Current, Class 1, 120-277V, 50/60 Hz, 120V: 0.02A, 208V: 0.02A, 240V: 0.02A, 277V: 0.02A

Dimming Driver:

Driver includes dimming control wiring for 0-10V dimming systems. Requires separate 0-10V DC dimming circuit. Dims down to 10%.

Photocell:

120-277V selectable photocell that can be turned on and off.

Aux Power Supply:

Yes

Dim to Off:

Yes

Construction

Cold Weather Starting:

The minimum starting temperature is -40°C (-40°F)

Maximum Ambient Temperature:

Suitable for use in up to 40°C (104°F)

Housing:

Die-cast aluminum

Lens:

Tempered glass

Gaskets:

High-temperature silicone

Finish:

Formulated for high durability and long-lasting color

Green Technology:

Mercury and UV free. RoHS-compliant components.

Compliance

UL Listed:

Suitable for wet locations

IESNA LM-79 & LM-80 Testing:

RAB LED luminaires and LED components have been tested by an independent laboratory in accordance with IESNA LM-79 and LM-80.

ADA Compliant:

Meets ADA Requirements for wall-mounted luminaires.

IP Rating:

Ingress protection rating of IP65 for dust and water

DLC Listed:

This product is on the Design Lights Consortium (DLC) Qualified Products List and is eligible for rebates from DLC Member Utilities. Designed to meet DLC 5.1 requirements.
DLC Product Code: S-TTG53Z

Technical Specifications (continued)

LUNA:

This product has received the Design Lights Consortium's LUNA listing for 3000K Models. Designed to meet LUNA 5.1 requirements. LUNA Product Code: S-TTG53Z

Installation

Mounting:

Heavy-duty mounting bracket with spring-hinged housing and "kick stand" allow for easy installations. Conduit entries on back and both sides.

Other

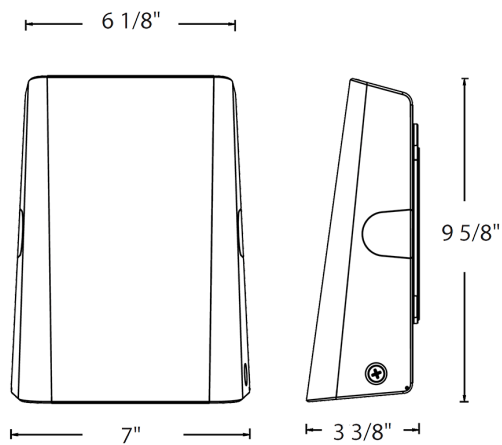
Warranty:

RAB warrants that our LED products will be free from defects in materials and workmanship for a period of five (5) years from the date of delivery to the end user, including coverage of light output, color stability, driver performance and fixture finish. RAB's warranty is subject to all terms and conditions found at rablighting.com/warranty.

Buy American Act Compliance:

RAB values USA manufacturing! Upon request, RAB may be able to manufacture this product to be compliant with the Buy American Act (BAA). Please contact customer service to request a quote for the product to be made BAA compliant.

Dimensions



Features

- 100,000-Hour LED lifespan
- 0-10V dimming standard
- 5-Year, no-compromise warranty

Ordering Matrix

Family	Wattage	Color Temp	Finish	Driver	Options
SLIM	XXS	Y			
XXS = 7/5/3.5W XS = 25/18/12W S = 38/28/18W M = 55/41/27W L = 60/45/29W	Blank = 3000K/4000K/5000K CCT Adjustable Y = 3000K Static	Blank = Bronze W = White	Blank = 120-277V, 0-10V Dimming	Blank = No Option /LC = Lightcloud /LCB = Lightcloud Blue	