



Color: Bronze

Weight: 0.0 lbs

<b>Project:</b>	<b>Type:</b>
<b>Prepared By:</b>	<b>Date:</b>

Driver Info		LED Info	
Type	Constant Current	Watts	18/28/38W
120V	0.15A/0.23A/0.31A	Color Temp	3000K
208V	0.10A/0.15A/0.18A	Color Accuracy	81-82 CRI
240V	0.09A/0.13A/0.16A	L70 Lifespan	100,000 Hours
277V	0.08A/0.11A/0.14A	Lumens	2375-4837 lm
Input Watts	18.4-37.5W	Efficacy	119.2-140.2 lm/W

**Technical Specifications**

**Field Adjustability**

**Field Adjustable:**

Field Adjustable Light Output:  
38/28/18W (factory default 28W)  
Color temperature selectable 3000K, 4000K and 5000K (factory default 4000K)  
On/Off Photocell (factory default "Off")

**Lightcloud**

**Lightcloud Enabled:**

Lightcloud is a commercial wireless lighting control system fully developed and supported by RAB. It's powerful and flexible, yet easy to use and install.

**Performance**

**Lifespan:**

100,000-Hour LED lifespan based on IES LM-80 results and TM-21 calculations

**LED Characteristics**

**LEDs:**

Long-life, high-efficiency, surface-mount LEDs

**Electrical**

**Driver:**

38W: Constant Current, Class 1, 120-277V, 50/60 Hz, 120V: 0.31A, 208V: 0.19A, 240V: 0.16A, 277V: 0.14A  
28W: Constant Current, Class 1, 120-277V, 50/60 Hz, 120V: 0.23A, 208V: 0.15A, 240V: 0.13A, 277V: 0.11A  
18W: Constant Current, Class 1, 120-277V, 50/60 Hz, 120V: 0.15A, 208V: 0.10A, 240V: 0.09A, 277V: 0.08A

**Dimming Driver:**

Driver includes dimming control wiring for 0-10V dimming systems. Requires separate 0-10V DC dimming circuit. Dims down to 10%.

**Photocell:**

120-277V selectable photocell that can be turned on and off.

**Aux Power Supply:**

Yes

**Dim to Off:**

Yes

**Construction**

**Cold Weather Starting:**

The minimum starting temperature is -40°C (-40°F)

**Maximum Ambient Temperature:**

Suitable for use in up to 40°C (104°F)

**Housing:**

Die-cast aluminum

**Lens:**

Tempered glass

**Gaskets:**

High-temperature silicone

**Finish:**

Formulated for high durability and long-lasting color

**Green Technology:**

Mercury and UV free. RoHS-compliant components.

**Compliance**

**UL Listed:**

Suitable for wet locations

**IESNA LM-79 & LM-80 Testing:**

RAB LED luminaires and LED components have been tested by an independent laboratory in accordance with IESNA LM-79 and LM-80.

**ADA Compliant:**

Meets ADA Requirements for wall-mounted luminaires.

## Technical Specifications (continued)

**IP Rating:**

Ingress protection rating of IP65 for dust and water

**DLC Listed:**

This product is on the Design Lights Consortium (DLC) Qualified Products List and is eligible for rebates from DLC Member Utilities. Designed to meet DLC 5.1 requirements.

DLC Product Code: S-862JF2

**LUNA:**

This product has received the Design Lights Consortium's LUNA listing for 3000K Models. Designed to meet LUNA 5.1 requirements.

LUNA Product Code: S-862JF2

**Installation**

---

**Mounting:**

Heavy-duty mounting bracket with spring-hinged housing and "kick stand" allow for easy installations. Conduit entries on back and both sides.

**Other**

---

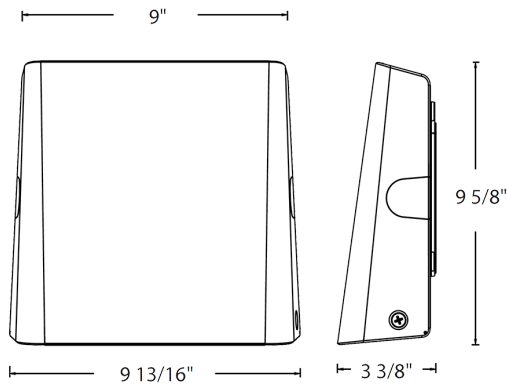
**Warranty:**

RAB warrants that our LED products will be free from defects in materials and workmanship for a period of five (5) years from the date of delivery to the end user, including coverage of light output, color stability, driver performance and fixture finish. RAB's warranty is subject to all terms and conditions found at [rablighting.com/warranty](http://rablighting.com/warranty).

**Buy American Act Compliance:**

RAB values USA manufacturing! Upon request, RAB may be able to manufacture this product to be compliant with the Buy American Act (BAA). Please contact customer service to request a quote for the product to be made BAA compliant.

Dimensions



Features

- 100,000-Hour LED lifespan
- 0-10V dimming standard
- 5-Year, no-compromise warranty

Ordering Matrix

Family	Wattage	Color Temp	Finish	Driver	Options
SLIM	S	Y			/LC
XXS = 7/5/3.5W XS = 25/18/12W S = 38/28/18W M = 55/41/27W L = 60/45/29W	Blank = 3000K/4000K/5000K CCT Adjustable Y = 3000K Static	Blank = Bronze W = White	Blank = 120-277V, 0-10V Dimming	Blank = No Option /LC = Lightcloud /LCB = Lightcloud Blue	