



Project:	Type:
Prepared By:	Date:

Driver Info		LED Info	
Type	Constant Current	Watts	18/28/38W
120V	0.15A/0.23A/0.30A/0.31A	Color Temp	3000/4000/5000K
208V	0.10A/0.14A/0.15A/0.17A/0.18A	Color Accuracy	80-83 CRI
240V	0.09A/0.12A/0.13A/0.15A/0.16A	L70 Lifespan	100,000 Hours
277V	0.08A/0.11A/0.14A	Lumens	2375-5247 lm
Input Watts	17.7-37.5W	Efficacy	119.2-158.1 lm/W

Technical Specifications

Field Adjustability

Field Adjustable:

Field Adjustable Light Output:
38/28/18W (factory default 28W)
Color temperature selectable 3000K, 4000K and 5000K (factory default 4000K)
On/Off Photocell (factory default "Off")

Performance

Lifespan:

100,000-Hour LED lifespan based on IES LM-80 results and TM-21 calculations

LED Characteristics

LEDs:

Long-life, high-efficiency, surface-mount LEDs

Electrical

Driver:

38W: Constant Current, Class 1, 120-277V, 50/60 Hz, 120V: 0.31A, 208V: 0.19A, 240V: 0.16A, 277V: 0.14A
28W: Constant Current, Class 1, 120-277V, 50/60 Hz, 120V: 0.23A, 208V: 0.15A, 240V: 0.13A, 277V: 0.11A
18W: Constant Current, Class 1, 120-277V, 50/60 Hz, 120V: 0.15A, 208V: 0.10A, 240V: 0.09A, 277V: 0.08A

Dimming Driver:

Driver includes dimming control wiring for 0-10V dimming systems. Requires separate 0-10V DC dimming circuit. Dims down to 10%.

Photocell:

120-277V selectable photocell that can be turned on and off.

Aux Power Supply:

Yes

Dim to Off:

Yes

Dimmable:

Yes using the Lightcloud Blue mobile app or compatible devices. The Low Voltage Controller must be connected to a compatible 0-10V Dim to Off fixture with 12V AUX supply.

This will not operate properly when connected to a standard (incandescent) dimmer or dimming control.

Input Voltage:

10.5-36VDC

Operating Frequency:

50/60Hz

Operating Temperature:

-4°F to 113°F (-20°C to 45°C)

Construction

Cold Weather Starting:

The minimum starting temperature is -40°C (-40°F)

Maximum Ambient Temperature:

Suitable for use in up to 40°C (104°F)

Housing:

Die-cast aluminum

Lens:

Tempered glass

Gaskets:

High-temperature silicone

Finish:

Black

Enclosure Material:

Plastic

Green Technology:

Mercury and UV free. RoHS-compliant components.

Compliance

UL Listed:

Suitable for wet locations

Technical Specifications (continued)

IESNA LM-79 & LM-80 Testing:

RAB LED luminaires and LED components have been tested by an independent laboratory in accordance with IESNA LM-79 and LM-80.

ADA Compliant:

Meets ADA Requirements for wall-mounted luminaires.

IP Rating:

Ingress protection rating of IP65 for dust and water

Listings:

UL Listed

Environment:

Suitable for use indoors and outdoors in dry, damp, or wet environments.

Installation

Mounting:

Heavy-duty mounting bracket with spring-hinged housing and "kick stand" allow for easy installations. Conduit entries on back and both sides.

Lightcloud

Lightcloud Blue:

Lightcloud Blue is a Bluetooth Mesh wireless lighting control system that allows you to control RAB's various compatible devices. With RAB's patented Rapid Provisioning technology, devices can be quickly and easily commissioned for residential and large commercial applications using the Lightcloud Blue mobile app. Each device in a system can communicate with any other device, eliminating the need for a Gateway or Hub and maximizing the control system's reach.

DLC system - N1XMLOEATBA (Interior);
NHCZ2BIA17L (Exterior)

Learn more at www.lightcloud.com.

Gateway Required:

No

Communication Protocol:

Bluetooth Mesh

Range:

Up to 60 feet between standard building materials. Building materials such as brick, concrete, and steel construction may require additional Lightcloud Blue devices to extend around an obstruction.
Up to 200 feet clear line of sight (varies by device).

Spacing Criteria:

Lightcloud Blue devices should be placed within the specified range to communicate within the Bluetooth Mesh network.

Factory Reset:

Method 1: Delete from App

Open the app and access the device settings for the paired device. Be sure that the device is online and select 'Delete'. The device will flash on/off 3x and return to full brightness.

Method 2: Manual

Locate the device identification button at the top of the Controller under the Lightcloud logo. Press and hold this button for 10s or until the indicator light begins flashing red. If the Controller is attached to a fixture, the fixture will also flash on/off 3x.

Status Indicator:

The status indicator light is located around the circumference of the top of the Controller.

Solid Green: connected to a Lightcloud Blue network.

Blinking Red: unprovisioned, ready to pair

Device Identification Button:

Located at the top of the controller under the Lightcloud logo.

Once the Controller has been provisioned to the Lightcloud Blue mobile app this button offers the following functionality:

Press once to rapid identify this device in the Lightcloud Blue mobile app

Press twice to toggle circuit on and off

Press twice and hold to set dim level

Press and hold for 10s to reset the device to factory settings and into pairing mode

Other

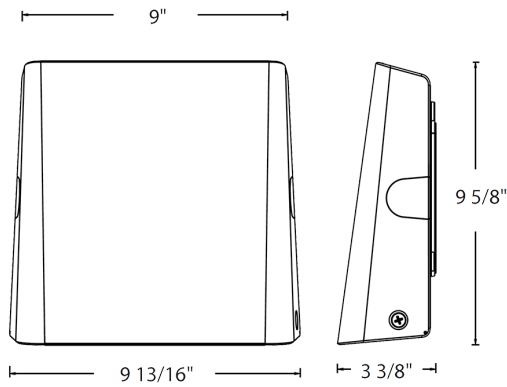
Warranty:

RAB warrants that our LED products will be free from defects in materials and workmanship for a period of five (5) years from the date of delivery to the end user, including coverage of light output, color stability, driver performance and fixture finish. RAB's warranty is subject to all terms and conditions found at rablighting.com/warranty.

Buy American Act Compliance:

RAB values USA manufacturing! Upon request, RAB may be able to manufacture this product to be compliant with the Buy American Act (BAA). Please contact customer service to request a quote for the product to be made BAA compliant.

Dimensions



Features

- 100,000-Hour LED lifespan
- 0-10V dimming standard
- 5-Year, no-compromise warranty

Ordering Matrix

Family	Wattage	Color Temp	Finish	Driver	Options
SLIM	S		W		/LCB
	XXS = 7/5/3.5W XS = 25/18/12W S = 38/28/18W M = 55/41/27W L = 60/45/29W	Blank = 3000K/4000K/5000K CCT Adjustable Y = 3000K Static	Blank = Bronze W = White	Blank = 120-277V, 0-10V Dimming	Blank = No Option /LC = Lightcloud /LCB = Lightcloud Blue