



<b>Project:</b>	<b>Type:</b>
<b>Prepared By:</b>	<b>Date:</b>

Driver Info		LED Info	
Type	Constant Current	Watts	57W
120V	N/A	Color Temp	3000K (Warm)
208V	N/A	Color Accuracy	73 CRI
240V	N/A	L70 Lifespan	100,000 Hours
277V	N/A	Lumens	5,974 lm
Input Watts	42.6W	Efficacy	140.2

**Technical Specifications**

**Compliance**

**UL Listed:**

Suitable for Wet Locations. Wall Mount Only.

**IP Rating:**

Ingress protection rating of IP66 for dust and water

**Dark Sky Conformance:**

Allows for conformance to the IDA's fully shielding requirement, emitting no light above 90 degrees.

**Construction**

**Footprint:**

Designed to replace RAB HID WP1 wall packs, both in size and footprint template, so upgrading to LED is easy and seamless

**Cold Weather Starting:**

The minimum starting temperature is -40°C (-40°F)

**Maximum Ambient Temperature:**

Suitable for use in up to 40°C (104°F)

**Housing:**

Precision die-cast aluminum housing and door frame

**Mounting:**

Die-cast back box with four (4) conduit entry points and knockout pattern for junction box or direct wall mounting. Hinged housing and bubble level for easy installation.

**Cutoff:**

Cutoff (10°)

**Recommended Mounting Height:**

Up to 20 ft

**Lens:**

Microprismatic diffusion glass lens reduces glare and has smooth and even light distribution

**Reflector:**

Specular thermoplastic

**Gaskets:**

The unique design of the tight-lock gasket ensures no water or environmental elements will ever get inside the SLIM

**Finish:**

Formulated for high durability and long-lasting color

**Green Technology:**

Mercury and UV free. RoHS-compliant components.

**LED Characteristics**

**LED:**

Long-life, high-efficiency, micro-power, surface mount LEDs; binned and mixed for uniform light output and color

**Color Stability:**

LED color temperature is warrantied to shift no more than 200K in color temperature over a 5-year period

**Color Consistency:**

7-step MacAdam Ellipse binning to achieve consistent fixture-to-fixture color

**Electrical**

**Driver:**

Constant Current, Class 2, 480, 50-60Hz, 480: 0.09A

**Dimming Driver:**

Driver includes dimming control wiring for 0-10V dimming systems. Requires separate 0-10V DC dimming circuit. Dims down to 10%.

**THD:**

10.77% at 480V

**Power Factor:**

97.17% at 480V

## Technical Specifications (continued)

### Photocell:

480V Swivel photocell included. Photocell is only compatible with 480V.

### Performance

---

#### Lifespan:

100,000-Hour LED lifespan based on IES LM-80 results and TM-21 calculations

#### Wattage Equivalency:

Equivalent to 200W Metal Halide

### Other

---

#### Accessories:

Available accessories include polyshield and wire guard. Click [here](#) to see all accessories.

#### Patents:

The design of the SLIM™ is protected by patents pending in US, Canada, China, Taiwan and Mexico

#### Warranty:

RAB warrants that our LED products will be free from defects in materials and workmanship for a period of five (5) years from the date of delivery to the end user, including coverage of light output, color stability, driver performance and fixture finish. RAB's warranty is subject to all terms and conditions found at [rablighting.com/warranty](http://rablighting.com/warranty).

#### HID Replacement Range:

Replaces 200W Metal Halide

#### Buy American Act Compliance:

RAB values USA manufacturing! Upon request, RAB may be able to manufacture this product to be compliant with the Buy American Act (BAA). Please contact customer service to request a quote for the product to be made BAA compliant.

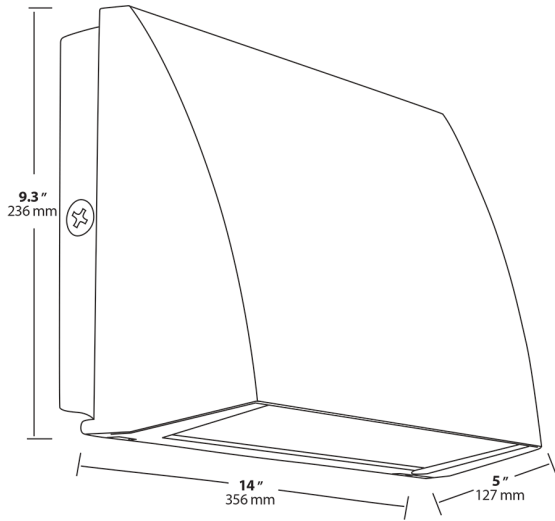
### Optical

---

#### BUG Rating:

B1 U2 G1

**Dimensions**



**Features**

- Covers footprint of most traditional wall packs
- Easy installation with hinged access, bubble level and multiple conduit entries
- Tight-lock gasket keeps elements out
- 100,000-hour LED lifespan
- 5-Year, No-Compromise Warranty

**Ordering Matrix**

Family	Cutoff	Wattage	Color Temp	Finish	Driver Options	Options
SLIM		57	Y	W	/480	
	Blank = Cutoff (10 degrees) FC = Full Cutoff (0 degrees)	37 = 37W 57 = 57W 62 = 62W	Blank = 5000K Cool N = 4000K Neutral Y = 3000K Warm	Blank = Bronze W = White	Blank = Standard (120-277V) /BL = Bi-Level /D10 = Dimmable /480 = 480V	Blank = No Option /PC = 120V Button Photocell /PC2 = 277V Button Photocell /PCS = 120V Swivel Photocell /PCS2 = 277V Swivel Photocell /LC = Lightcloud® Controller