



| | |
|---------------------|--------------|
| Project: | Type: |
| Prepared By: | Date: |

| Driver Info | | LED Info | |
|-------------|----------|----------------|------------------|
| Type | Constant | Watts | 60/50/40/30W |
| 120V | 0.56A | Color Temp | 3000/4000/5000K |
| 208V | 0.34A | Color Accuracy | 83-86 CRI |
| 240V | 0.30A | L70 Lifespan | 100,000 Hours |
| 277V | 0.27A | Lumens | 4,418-8,862 lm |
| Input Watts | 29.4-62W | Efficacy | 128.7-167.3 lm/W |

Technical Specifications

Field Adjustability

Optical Field Adjustability:
45°, 30°, 15° and 0° (factory default 0°)

Field Adjustable:

Field Adjustable Light Output:
60W/50W/40W/30W (factory default 60W)
Color Temperature Selectable:
3000K, 4000K and 5000K (factory default 4000K)

Performance

Lifespan:
100,000-Hour LED lifespan based on IES LM-80 results and TM-21 calculations

Wattage Equivalency:

50W: Replaces up to 250W Metal Halide (MH) or 200W High Pressure Sodium (HPS)
40W: Replaces up to 250W Metal Halide (MH) or 200W High Pressure Sodium (HPS)
30W: Replaces up to 175W Metal Halide (MH) or 150W High Pressure Sodium (HPS)

LED Characteristics

LEDs:
Edge-lit long-life, high-efficacy, surface-mount LEDs; binned and mixed for uniform light output and color.

Electrical

Driver:
60W: Class 2, Constant Current, 120-277V, 50/60 Hz, 120V: 0.56A, 208V: 0.34A, 240V: 0.30A, 277V: 0.27A
50W: Class 2, Constant Current, 120-277V, 50/60 Hz, 120V: 0.47A, 208V: 0.30A, 240V: 0.25A, 277V: 0.23A
40W: Class 2, Constant Current, 120-277V, 50/60 Hz, 120V: 0.38A, 208V: 0.24A, 240V: 0.21A, 277V: 0.19A
30W: Class 2, Constant Current, 120-277V, 50/60 Hz, 120V: 0.29A, 208V: 0.19A, 240V: 0.17A, 277V: 0.14A

Dimming Driver:

Driver includes dimming control wiring for 0-10V dimming systems. Requires separate 0-10V DC dimming circuit. Dims down to 10%.

THD:

60W: 4.53% at 120V, 10.6% at 277V
50W: 4.93% at 120V, 11.91% at 277V
40W: 5.74% at 120V, 14.66% at 277V
30W: 7.54% at 120V, 19.61% at 277V

Power Factor:

60W: 99.7% at 120V, 94.6% at 277V
50W: 99.6% at 120V, 93.5% at 277V
40W: 99.4% at 120V, 91.4% at 277V
30W: 99% at 120V, 87% at 277V

Aux Power Supply:

Yes

Dim to Off:

Yes

Photocell:

120-277V selectable photocell that can be turned on and off.

Surge Protection:

DM(L/N): 6KV, CM(L/N-PE): 6KV

Construction

Cold Weather Starting:

The minimum starting temperature is -40°C (-40°F)

Maximum Ambient Temperature:

Suitable for use in up to 40°C (104°F)

Housing:

Die-cast aluminum

Lens:

Polycarbonate lens

Gaskets:

High-temperature silicone

Technical Specifications (continued)

Finish:

Formulated for high durability and long-lasting color

Green Technology:

Mercury and UV free. RoHS-compliant components.

Compliance**UL Listed:**

Suitable for wet locations

IESNA LM-79 & LM-80 Testing:

RAB LED luminaires and LED components have been tested by an independent laboratory in accordance with IESNA LM-79 and LM-80.

IP Rating:

Ingress protection rating of IP65 for dust and water

DLC Listed:

This product is listed by Design Lights Consortium (DLC) as an ultra-efficient premium product that qualifies for the highest tier of rebates from DLC Member Utilities. Designed to meet DLC 5.1 requirements.

DLC Product Code: S-8ZT8TM

Installation**Mounting:**

Hinged wiring access and conduit entries on the back, sides, top and bottom make installation a snap

Optical**BUG Rating:**

60W: B3 U0 G1

50W: B3 U0 G1

40W: B3 U0 G1

30W: B2 U0 G1

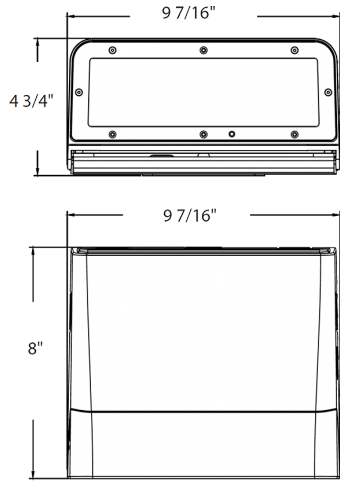
Other**5 Yr Limited Warranty:**

The RAB 5-year, limited warranty covers light output, driver performance and paint finish. RAB's warranty is subject to all terms and conditions found at rablighting.com/warranty.

Buy American Act Compliance:

RAB values USA manufacturing! Upon request, RAB may be able to manufacture this product to be compliant with the Buy American Act (BAA). Please contact customer service to request a quote for the product to be made BAA compliant.

Dimensions



Features

- DLC Premium listed
- 0-10V dimming standard
- 100,000-hour LED Life
- 5-Year, limited warranty

Ordering Matrix

| Family | Housing Size | Wattage | Color Temp | Finish | Forward Throw | Driver | Options |
|--------|--------------------------------------|---|---|--------------------------------|--|--|---|
| SLIM22 | - | S | - | 60 | | W | |
| | S = Small M = Medium L = Large | 30 = 30/25/20/15W 60 = 60/50/40/30W 100 = 100/85/70/50W 150 = 150/125/100/75W | Blank = 3000/4000/5000K CCT Adjustable | Blank = Bronze W = White | Blank = Adjustable Throw 0°/15°/30°/45° | Blank = 120-277V, 0-10V /480 = 480V, 0-10V Dimming | Blank = Selectable Photocell /E = Selectable Photocell w/Battery Backup |