

Color: White

Weight: 7.1 lbs

Project:	Type:
Prepared By:	Date:

Driver Info		LED Info	
Type	Constant	Watts	30/25/20/15W
120V	0.28A	Color Temp	3000/4000/5000K
208V	0.17A	Color Accuracy	83-86 CRI
240V	0.15A	L70 Lifespan	100,000 Hours
277V	0.13A	Lumens	2,199-4,833 lm
Input Watts	15.5-32.8W	Efficacy	135.9-158.5 lm/W

Technical Specifications

Field Adjustability

Optical Field Adjustability:
45°, 30°, 15° and 0° (factory default 0°)

Field Adjustable:

Field Adjustable Light Output:
30W/25W/20W/15W (factory default 30W)
Color Temperature Selectable:
3000K, 4000K and 5000K (factory default 4000K)

Performance

Lifespan:
100,000-Hour LED lifespan based on IES LM-80 results and TM-21 calculations

Wattage Equivalency:

30W: Replaces up to 175W Metal Halide (MH) or 150W High Pressure Sodium (HPS)
25W: Replaces up to 175W Metal Halide (MH) or 150W High Pressure Sodium (HPS)
20W: Replaces up to 125W Metal Halide (MH) or 100W High Pressure Sodium (HPS)
15W: Replaces up to 100W Metal Halide (MH) or 70W High Pressure Sodium (HPS)

LED Characteristics

LEDs:
Edge-lit long-life, high-efficacy, surface-mount LEDs; binned and mixed for uniform light output and color.

Electrical

Driver:
30W: Class 2, Constant Current, 120-277V, 50/60 Hz, 120V: 0.28A, 208V: 0.17A, 240V: 0.15A, 277V: 0.13A
25W: Class 2, Constant Current, 120-277V, 50/60 Hz, 120V: 0.24A, 208V: 0.14A, 240V: 0.13A, 277V: 0.11A
20W: Class 2, Constant Current, 120-277V, 50/60 Hz, 120V: 0.19A, 208V: 0.12A, 240V: 0.11A, 277V: 0.09A
15W: Class 2, Constant Current, 120-277V, 50/60 Hz, 120V: 0.14A, 208V: 0.09A, 240V: 0.085A, 277V: 0.08A

Dimming Driver:

Driver includes dimming control wiring for 0-10V dimming systems. Requires separate 0-10V DC dimming circuit. Dims down to 10%.

THD:

30W: 6.63% at 120V, 12.67% at 277V
25W: 7.49% at 120V, 14.45% at 277V
20W: 9.13% at 120V, 16.84% at 277V
15W: 11.81% at 120V, 20.66% at 277V

Power Factor:

30W: 99.5% at 120V, 94.8% at 277V
25W: 99.5% at 120V, 93.6% at 277V
20W: 99.2% at 120V, 90.7% at 277V
15W: 98.6% at 120V, 84.1% at 277V

Aux Power Supply:

Yes

Dim to Off:

Yes

Photocell:

120-277V selectable photocell that can be turned on and off.

Surge Protection:

DM(L/N): 6KV, CM(L/N-PE): 6KV

Construction

Cold Weather Starting:

The minimum starting temperature is -40°C (-40°F)

Maximum Ambient Temperature:

Suitable for use in up to 40°C (104°F)

Housing:

Die-cast aluminum

Lens:

Polycarbonate lens

Gaskets:

High-temperature silicone

Technical Specifications (continued)

Finish:

Formulated for high durability and long-lasting color

Green Technology:

Mercury and UV free. RoHS-compliant components.

Compliance

UL Listed:

Suitable for wet locations

IESNA LM-79 & LM-80 Testing:

RAB LED luminaires and LED components have been tested by an independent laboratory in accordance with IESNA LM-79 and LM-80.

IP Rating:

Ingress protection rating of IP65 for dust and water

DLC Listed:

This product is listed by Design Lights Consortium (DLC) as an ultra-efficient premium product that qualifies for the highest tier of rebates from DLC Member Utilities. Designed to meet DLC 5.1 requirements.

DLC Product Code: S-RGJHKZ

Installation

Mounting:

Hinged wiring access and conduit entries on the back, sides, top and bottom make installation a snap

Optical

BUG Rating:

30W: B2 U0 G1

25W: B2 U0 G1

20W: B2 U0 G1

15W: B1 U0 G1

Other

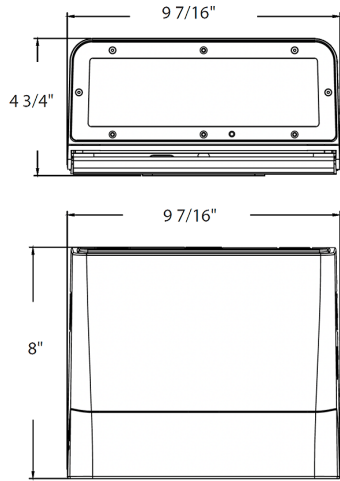
5 Yr Limited Warranty:

The RAB 5-year, limited warranty covers light output, driver performance and paint finish. RAB's warranty is subject to all terms and conditions found at rablighting.com/warranty.

Buy American Act Compliance:

RAB values USA manufacturing! Upon request, RAB may be able to manufacture this product to be compliant with the Buy American Act (BAA). Please contact customer service to request a quote for the product to be made BAA compliant.

Dimensions



Features

- DLC Premium listed
- 0-10V dimming standard
- 100,000-hour LED Life
- 5-Year, limited warranty

Ordering Matrix

Family	Housing Size	Wattage	Color Temp	Finish	Forward Throw	Driver	Options
SLIM22	S	30		W			
	S = Small M = Medium L = Large	30 = 30/25/20/15W 60 = 60/50/40/30W 100 = 100/85/70/50W 150 = 150/125/100/75W	Blank = 3000/4000/5000K CCT Adjustable	Blank = Bronze W = White	Blank = Adjustable Throw 0°/15°/30°/45°	Blank = 120-277V, 0-10V /480 = 480V, 0-10V Dimming	Blank = Selectable Photocell /E = Selectable Photocell w/Battery Backup