



Color: Bronze

Weight: 9.7 lbs

Project:	Type:
Prepared By:	Date:

Driver Info		LED Info	
Type	Constant	Watts	100/85/70/50W
120V	N/A	Color Temp	3000/4000/5000K
208V	N/A	Color Accuracy	83-86 CRI
240V	N/A	L70 Lifespan	100,000 Hours
277V	N/A	Lumens	7,480-14,676 lm
Input Watts	50.6-103.7W	Efficacy	126.4-165.9 lm/W

Technical Specifications

Field Adjustability

Optical Field Adjustability:
45°, 30°, 15° and 0° (factory default 0°)

Field Adjustable:

Field Adjustable Light Output:
100W/85W/70W/50W (factory default 100W)
Color Temperature Selectable:
3000K, 4000K and 5000K (factory default 4000K)

Performance

Lifespan:
100,000-Hour LED lifespan based on IES LM-80 results and TM-21 calculations

Wattage Equivalency:

100W: Replaces up to 400W Metal Halide (MH) or 310W High Pressure Sodium (HPS)
85W: Replaces up to 400W Metal Halide (MH) or 310W High Pressure Sodium (HPS)
70W: Replaces up to 400W Metal Halide (MH) or 250W High Pressure Sodium (HPS)
50W: Replaces up to 350W Metal Halide (MH) or 200W High Pressure Sodium (HPS)

LED Characteristics

LEDs:
Edge-lit long-life, high-efficacy, surface-mount LEDs; binned and mixed for uniform light output and color.

Electrical

Driver:
100W: Class 2, Constant Current, 480V, 50/60 Hz, 480V: 0.28A
85W: Class 2, Constant Current, 480V, 50/60 Hz, 480V: 0.25A
70W: Class 2, Constant Current, 480V, 50/60 Hz, 480V: 0.23A
50W: Class 2, Constant Current, 480V, 50/60 Hz, 480V: 0.16A

Dimming Driver:

Driver includes dimming control wiring for 0-10V dimming systems. Requires separate 0-10V DC dimming circuit. Dims down to 10%.

THD:

100W: 11.48% at 480V
85W: 13.08% at 480V
70W: 15.56% at 480V
50W: 21% at 480V

Power Factor:

100W: 93.3% at 480V
85W: 91.6% at 480V
70W: 89.2% at 480V
50W: 83.2% at 480V

Aux Power Supply:

Yes

Dim to Off:

Yes

Photocell:

480V selectable photocell that can be turned on and off.

Surge Protection:

DM(L/N): 6KV, CM(L/N-PE): 6KV

Construction

Cold Weather Starting:

The minimum starting temperature is -40°C (-40°F)

Maximum Ambient Temperature:

Suitable for use in up to 40°C (104°F)

Housing:

Die-cast aluminum

Lens:

Polycarbonate lens

Gaskets:

High-temperature silicone

Finish:

Formulated for high durability and long-lasting color

Technical Specifications (continued)

Green Technology:

Mercury and UV free. RoHS-compliant components.

Compliance

UL Listed:

Suitable for wet locations

IESNA LM-79 & LM-80 Testing:

RAB LED luminaires and LED components have been tested by an independent laboratory in accordance with IESNA LM-79 and LM-80.

IP Rating:

Ingress protection rating of IP65 for dust and water

DLC Listed:

This product is listed by Design Lights Consortium (DLC) as an ultra-efficient premium product that qualifies for the highest tier of rebates from DLC Member Utilities. Designed to meet DLC 5.1 requirements.

DLC Product Code: S-61676H

Installation

Mounting:

Hinged wiring access and conduit entries on the back, sides, top and bottom make installation a snap

Optical

BUG Rating:

100W: B4 U0 G2

85W: B3 U0 G2

70W: B3 U0 G2

50W: B3 U0 G1

Other

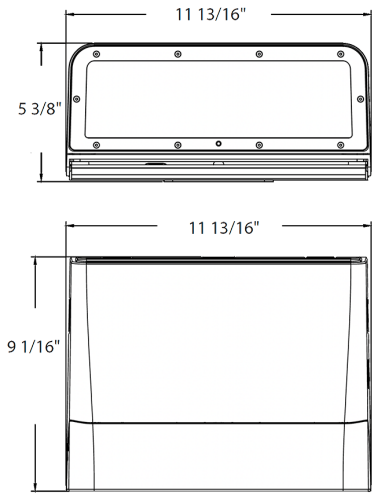
5 Yr Limited Warranty:

The RAB 5-year, limited warranty covers light output, driver performance and paint finish. RAB's warranty is subject to all terms and conditions found at rablighting.com/warranty.

Buy American Act Compliance:

RAB values USA manufacturing! Upon request, RAB may be able to manufacture this product to be compliant with the Buy American Act (BAA). Please contact customer service to request a quote for the product to be made BAA compliant.

Dimensions



Features

- DLC Premium listed
- 0-10V dimming standard
- 100,000-hour LED Life
- 5-Year, limited warranty

Ordering Matrix

Family	Housing Size	Wattage	Color Temp	Finish	Forward Throw	Driver	Options	
SLIM22	-	M	-	100			/480	
	S = Small M = Medium L = Large	30 = 30/25/20/15W 60 = 60/50/40/30W 100 = 100/85/70/50W 150 = 150/125/100/75W	Blank = 3000/4000/5000K CCT Adjustable	Blank = Bronze W = White	Blank = Adjustable Throw 0°/15°/30°/45°	Blank = 120-277V, 0-10V /480 = 480V, 0-10V Dimming	Blank = Selectable Photocell /E = Selectable Photocell w/Battery Backup	