



Color: Bronze

Weight: 7.1 lbs

Project:	Type:
Prepared By:	Date:

Driver Info		LED Info	
Type	Constant Current	Watts	60W
120V	0.50A	Color Temp	3000K/4000K/5000K
208V	0.40A	Color Accuracy	80 CRI
240V	0.30A	L70 Lifespan	100,000 Hours
277V	0.25A	Lumens	7035/8190/7251 lm
Input Watts	57.9/58.4/57.2W	Efficacy	121.6/140.3/126.7 lm/W

Technical Specifications

Field Adjustability

Field Adjustable:

Color temperature selectable by 3000K, 4000K and 5000K

Compliance

UL Listed:

Suitable for wet locations

IESNA LM-79 & LM-80 Testing:

RAB LED luminaires and LED components have been tested by an independent laboratory in accordance with IESNA LM-79 and LM-80.

IP Rating:

Ingress protection rating of IP65 for dust and water

Performance

Lifespan:

100,000-Hour LED lifespan based on IES LM-80 results and TM-21 calculations

Wattage Equivalency:

Equivalent to 350W Metal Halide

LED Characteristics

LEDs:

Long-life, high-efficiency, surface-mount LEDs

Electrical

Driver:

Constant Current, Class 2, 120-277V, 50/60 Hz, 120V: 0.50A, 208V: 0.40A, 240V: 0.30A, 277V: 0.25A

Dimming Driver:

Driver includes dimming control wiring for 0-10V dimming systems. Requires separate 0-10V DC dimming circuit. Dims down to 10%.

Photocell:

120-277V selectable photocell that can be turned on and off.

Surge Protection:

L-N:4KV,L/N-GND:4KV

Construction

Cold Weather Starting:

The minimum starting temperature is -40°C (-40°F)

Ambient Temperature :

Max Power Temp Rating: 50°C (122°F)
Middle Power Temp Rating: 50°C (122°F)
Low Power Temp Rating: 50°C (122°F)

Housing:

Precision die-cast aluminum housing and door frame

Lens:

Polycarbonate lens

Mounting:

Hinged wiring access and conduit entries on the back, sides, top and bottom make installation a snap

Cut Off:

Full cutoff (0°)

Finish:

Formulated for high durability and long-lasting color

Green Technology:

Mercury and UV free. RoHS-compliant components.

Other

Note:

All values are typical (tolerance +/- 10%)

5 Yr Limited Warranty:

The RAB 5-year, limited warranty covers light output, driver performance and paint finish. RAB's warranty is subject to all terms and conditions found at rablighting.com/warranty.

Technical Specifications (continued)

Buy American Act Compliance:

RAB values USA manufacturing! Upon request, RAB may be able to manufacture this product to be compliant with the Buy American Act (BAA). Please contact customer service to request a quote for the product to be made BAA compliant.

Sensor Specifications**Factory Settings:**

Brightness: 100%
Hold Time: 1 Minute
Daylight: Disabled
Sensitivity: 50%
Stand-by dimming level: 20%
Stand-by time: 1 Minute

Capacitance Load:

400VA at 120VAC, 800VA at 230VAC, 1000VA at 277VAC

Operating Temperature:

-20°C to +60°C (-4°F to +140°F)

Relay:

Zero-cross relay

Maximum Mounting Height:

49.2 ft (15M)

Customizable Detection Area:

10, 50, 75 or 100%

Time Delay:

5s, 30s, 1min, 5min, 10min, 20min, 30min

Cut Off Period:

0s, 10s, 1min, 5min, 10min, 30min, 1hr, Bi-Level

Cut-Off Dimming level:

10, 20, 30, 50%

Cut-Off Power:

Less than 1W

Daylight Threshold:

About .2-5 fc for disabled

Sensor Principle:

High Frequency

Microwave Frequency:

5.8GHz +/- 75MHz

Microwave Power:

<0.2mW

Max Detection Range:

26 ft diameter at 16 ft mounting height

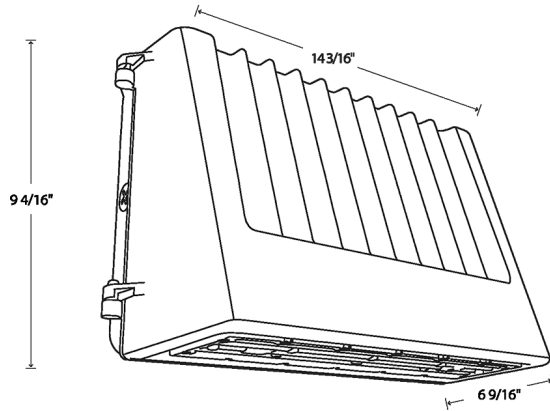
Detection Angle:

About 30 to 150 degrees

Remote Control Accessory:

Adjust settings using remote control (catalog# MVS-OD-REMOTE). Only available with 0-10V dimming driver options. [Remote control available here.](#)

Dimensions



Features

- Selectable CCT
- Full cutoff
- Selectable on/off photocell
- 0-10V dimming, standard

Ordering Matrix

Family	Style	Wattage	Color Temp	Finish	Voltage	Options
SLIM17FA	FC	60				/MVS
	FC = Full cutoff	40 = 40W 60 = 60W 100 = 100W 120 = 120W 150 = 150W	Blank = 3000K/4000K/5000K Adjustable	Blank = Bronze	Blank = 120-277V	Blank = Selectable On/Off Photocell /MVS = Selectable On/Off Photocell w/Microwave Occupancy Sensor /LCB = Lightcloud Blue Enabled /LCBS = Lightcloud Blue Enabled w/PIR Sensor /LCBS/MVS = Lightcloud Blue Enabled w/MVS Sensor