



Color: Bronze

Weight: 6.8 lbs

<b>Project:</b>	<b>Type:</b>
<b>Prepared By:</b>	<b>Date:</b>

Driver Info		LED Info	
Type	Constant Current	Watts	40W
120V	0.40A	Color Temp	3000K/4000K/5000K
208V	0.30A	Color Accuracy	80 CRI
240V	0.20A	L70 Lifespan	100,000 Hours
277V	0.15A	Lumens	4595/5421/4826 lm
Input Watts	37.7/38.2/38.2W	Efficacy	121.9/141.8/126.5 lm/W

## Technical Specifications

### Field Adjustability

#### Field Adjustable:

Color temperature selectable by 3000K, 4000K and 5000K

### Compliance

#### UL Listed:

Suitable for wet locations

#### IESNA LM-79 & LM-80 Testing:

RAB LED luminaires and LED components have been tested by an independent laboratory in accordance with IESNA LM-79 and LM-80.

#### IP Rating:

Ingress protection rating of IP65 for dust and water

### Performance

#### Lifespan:

100,000-Hour LED lifespan based on IES LM-80 results and TM-21 calculations

#### Wattage Equivalency:

Equivalent to 200W Metal Halide

### LED Characteristics

#### LEDs:

Long-life, high-efficiency, surface-mount LEDs

### Electrical

#### Driver:

Constant Current, Class 2, 120-277V, 50/60 Hz, 120V: 0.40A, 208V: 0.30A, 240V: 0.20A, 277V: 0.15A

#### Dimming Driver:

Driver includes dimming control wiring for 0-10V dimming systems. Requires separate 0-10V DC dimming circuit. Dims down to 10%.

#### Photocell:

120-277V selectable photocell that can be turned on and off.

#### Surge Protection:

L-N:4KV,L/N-GND:4KV

### Construction

#### Cold Weather Starting:

The minimum starting temperature is -40°C (-40°F)

#### Ambient Temperature :

Max Power Temp Rating: 50°C (122°F)  
Middle Power Temp Rating: 50°C (122°F)  
Low Power Temp Rating: 50°C (122°F)

#### Housing:

Precision die-cast aluminum housing and door frame

#### Lens:

Polycarbonate lens

#### Mounting:

Hinged wiring access and conduit entries on the back, sides, top and bottom make installation a snap

#### Cut Off:

Full cutoff (0°)

#### Finish:

Formulated for high durability and long-lasting color

#### Green Technology:

Mercury and UV free. RoHS-compliant components.

### Other

#### Note:

All values are typical (tolerance +/- 10%)

#### 5 Yr Limited Warranty:

The RAB 5-year, limited warranty covers light output, driver performance and paint finish. RAB's warranty is subject to all terms and conditions found at [rablighting.com/warranty](http://rablighting.com/warranty).

## Technical Specifications (continued)

**Buy American Act Compliance:**

RAB values USA manufacturing! Upon request, RAB may be able to manufacture this product to be compliant with the Buy American Act (BAA). Please contact customer service to request a quote for the product to be made BAA compliant.

**Sensor Specifications****Factory Settings:**

Brightness: 100%  
Hold Time: 1 Minute  
Daylight: Disabled  
Sensitivity: 50%  
Stand-by dimming level: 20%  
Stand-by time: 1 Minute

**Capacitance Load:**

400VA at 120VAC, 800VA at 230VAC, 1000VA at 277VAC

**Operating Temperature:**

-20°C to +60°C (-4°F to +140°F)

**Relay:**

Zero-cross relay

**Maximum Mounting Height:**

49.2 ft (15M)

**Customizable Detection Area:**

10, 50, 75 or 100%

**Time Delay:**

5s, 30s, 1min, 5min, 10min, 20min, 30min

**Cut Off Period:**

0s, 10s, 1min, 5min, 10min, 30min, 1hr, Bi-Level

**Cut-Off Dimming level:**

10, 20, 30, 50%

**Cut-Off Power:**

Less than 1W

**Daylight Threshold:**

About .2-5 fc for disabled

**Sensor Principle:**

High Frequency

**Microwave Frequency:**

5.8GHz +/- 75MHz

**Microwave Power:**

<0.2mW

**Max Detection Range:**

26 ft diameter at 16 ft mounting height

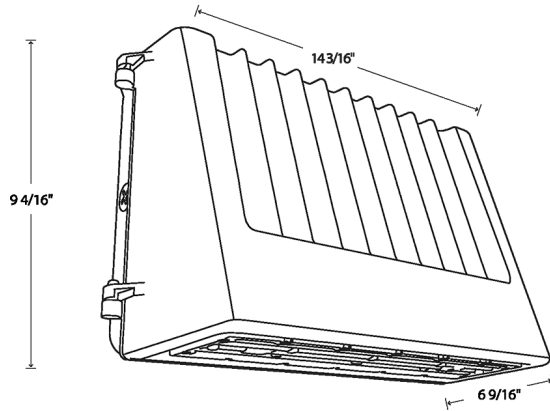
**Detection Angle:**

About 30 to 150 degrees

**Remote Control Accessory:**

Adjust settings using remote control (catalog# MVS-OD-REMOTE). Only available with 0-10V dimming driver options. [Remote control available here.](#)

**Dimensions**



**Features**

- Selectable CCT
- Full cutoff
- Selectable on/off photocell
- 0-10V dimming, standard

**Ordering Matrix**

Family	Style	Wattage	Color Temp	Finish	Voltage	Options
SLIM17FA	FC	40				/MVS
	FC = Full cutoff	40 = 40W 60 = 60W 100 = 100W 120 = 120W 150 = 150W	Blank = 3000K/4000K/5000K Adjustable	Blank = Bronze	Blank = 120-277V	Blank = Selectable On/Off Photocell /MVS = Selectable On/Off Photocell w/Microwave Occupancy Sensor /LCB = Lightcloud Blue Enabled /LCBS = Lightcloud Blue Enabled w/PIR Sensor /LCBS/MVS = Lightcloud Blue Enabled w/MVS Sensor