



Color: Bronze

Weight: 6.8 lbs

Project:

Type:

Prepared By:

Date:

Driver Info

Type	Constant Current
120V	0.40A
208V	0.30A
240V	0.20A
277V	0.15A
Input Watts	37.7/38.2/38.2W

LED Info

Watts	40W
Color Temp	3000/4000/5000K
Color Accuracy	80 CRI
L70 Lifespan	100,000 Hours
Lumens	4595/5421/4826 lm
Efficacy	121.9/141.8/126.5 lm/W

Technical Specifications

Field Adjustability

Field Adjustable:

Color temperature selectable by 3000K, 4000K and 5000K

Compliance

UL Listed:

Suitable for wet locations

IESNA LM-79 & LM-80 Testing:

RAB LED luminaires and LED components have been tested by an independent laboratory in accordance with IESNA LM-79 and LM-80.

IP Rating:

Ingress protection rating of IP65 for dust and water

DLC Listed:

This product is listed by Design Lights Consortium (DLC) as an ultra-efficient premium product that qualifies for the highest tier of rebates from DLC Member Utilities. Designed to meet DLC 5.1 requirements.
DLC Product Code: PL3FKMCN05F0

Performance

Lifespan:

100,000-Hour LED lifespan based on IES LM-80 results and TM-21 calculations

Wattage Equivalency:

Equivalent to 200W Metal Halide

LED Characteristics

LEDs:

Long-life, high-efficiency, surface-mount LEDs

Electrical

Driver:

Constant Current, Class 2, 120-277V, 50/60 Hz, 120V: 0.40A, 208V: 0.30A, 240V: 0.20A, 277V: 0.15A

Dimming Driver:

Driver includes dimming control wiring for 0-10V dimming systems. Requires separate 0-10V DC dimming circuit. Dims down to 10%.

Photocell:

120-277V selectable photocell that can be turned on and off.

Surge Protection:

L-N:4kV, L/N-GND:4KV

Construction

Cold Weather Starting:

The minimum starting temperature is -40°C (-40°F)

Ambient Temperature :

Max Power Temp Rating: 50°C (122°F)
Middle Power Temp Rating: 50°C (122°F)
Low Power Temp Rating: 50°C (122°F)

Housing:

Precision die-cast aluminum housing and door frame

Lens:

Polycarbonate lens

Cut Off:

Full cutoff (0°)

Finish:

Formulated for high durability and long-lasting color

Green Technology:

Mercury and UV free. RoHS-compliant components.

Installation

Mounting:

Hinged wiring access and conduit entries on the back, sides, top and bottom make installation a snap

Technical Specifications (continued)

Other

5 Yr Limited Warranty:

The RAB 5-year, limited warranty covers light output, driver performance and paint finish. RAB's warranty is subject to all terms and conditions found at rablighting.com/warranty.

Buy American Act Compliance:

RAB values USA manufacturing! Upon request, RAB may be able to manufacture this product to be compliant with the Buy American Act (BAA). Please contact customer service to request a quote for the product to be made BAA compliant.

Lightcloud

Lightcloud Blue:

Lightcloud Blue is a Bluetooth Mesh wireless lighting control system that allows you to control RAB's various compatible devices. With RAB's patented Rapid Provisioning technology, devices can be quickly and easily commissioned for residential and large commercial applications using the Lightcloud Blue mobile app. Each device in a system can communicate with any other device, eliminating the need for a Gateway or Hub and maximizing the control system's reach.

DLC system - N1XMLOEATBA (Interior);
NHCZ2BIA17L (Exterior)

Learn more at www.lightcloud.com.

Gateway Required:

No

Communication Protocol:

Bluetooth Mesh

Range:

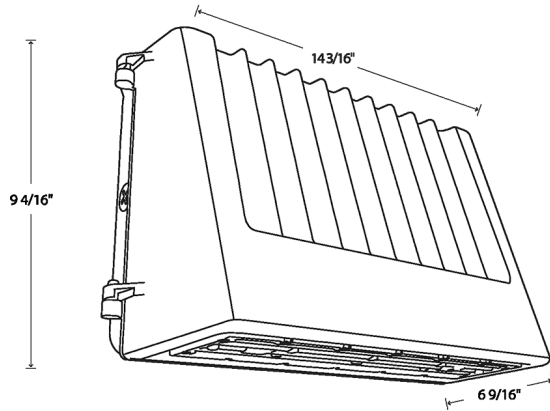
Indoor: Up to 60 feet between standard building materials. Building materials such as brick, concrete, and steel construction may require additional Lightcloud Blue devices to extend around an obstruction; Up to 200 feet clear line of sight.

Outdoor: Up to 60 feet clear line of sight; Up to 18 feet around corners

Spacing Criteria:

Lightcloud Blue devices should be placed within the specified range to communicate within the Bluetooth Mesh network.

Dimensions



Features

- Selectable CCT
- Full cutoff
- Selectable on/off photocell
- 0-10V dimming, standard

Ordering Matrix

Family	Style	Wattage	Color Temp	Finish	Driver	Options
SLIM17FA	FC	40				/LCB
	FC = Full cutoff	40 = 40W 60 = 60W 100 = 100W 120 = 120W 150 = 150W	Blank = 3000/4000/5000K Adjustable	Blank = Bronze	Blank = 120-277V	Blank = Selectable On/Off Photocell /MVS = Selectable On/Off Photocell w/Microwave Motion Sensor /LCB = Lightcloud Blue /LCBS = Lightcloud Blue w/PIR Sensor /LCBS/MVS = Lightcloud Blue w/MVS Sensor