



Color: Bronze

Weight: 3.0 lbs

<b>Project:</b>	<b>Type:</b>
<b>Prepared By:</b>	<b>Date:</b>

Driver Info		LED Info	
Type	Constant Current	Watts	15W
120V	0.13A	Color Temp	3000K/4000K/5000K
208V	0.07A	Color	70 CRI
240V	0.06A	Accuracy	
277V	0.05A	L70 Lifespan	100,000 Hours
Input Watts	14.2/14/14.2W	Lumens	1761/1904/1852 lm
		Efficacy	124/136.2/130.3 lm/W

**Technical Specifications**

**Field Adjustability**

**Field Adjustable:**

Color temperature selectable by 3000K, 4000K and 5000K

**Compliance**

**UL Listed:**

Suitable for wet locations

**IESNA LM-79 & lm-80 Testing:**

RAB LED luminaires and LED components have been tested by an independent laboratory in accordance with IESNA lm-79 and lm-80

**IP Rating:**

Ingress protection rating of IP65 for dust and water

**DLC Listed:**

This product is listed by Design Lights Consortium (DLC) as an ultra-efficient premium product that qualifies for the highest tier of rebates from DLC Member Utilities. Designed to meet DLC 5.1 requirements.

DLC Product Code: PL0MVJ0V62Q3

**Performance**

**Lifespan:**

100,000-Hour LED lifespan based on IES LM-80 results and TM-21 calculations

**Wattage Equivalency:**

Equivalent to 70W Metal Halide

**LED Characteristics**

**LEDs:**

Long-life, high-efficiency, surface-mount LEDs

**Electrical**

**Driver:**

Constant Current, Class 2, 120-277V, 50/60 Hz, 120V: 0.13A, 208V: 0.07A, 240V: 0.06A, 277V: 0.05A

**Dimming Driver:**

Driver includes dimming control wiring for 0-10V dimming systems. Requires separate 0-10V DC dimming circuit. Dims down to 10%.

**Photocell:**

120-277V Integrated button photocell included.

**Surge Protection:**

L-N:2.5KV,L/N-GND:2.5KV

**Construction**

**Cold Weather Starting:**

The minimum starting temperature is -40°C (-40°F)

**Ambient Temperature :**

Max Power Temp Rating: 50°C (122°F)

Middle Power Temp Rating: 50°C (122°F)

Low Power Temp Rating: 50°C (122°F)

**Housing:**

Precision die-cast aluminum housing and door frame

**Lens:**

Polycarbonate lens

**Mounting:**

Hinged wiring access and conduit entries on the back, sides, top and bottom make installation a snap

**Cut Off:**

Adjustable from 0° (full cutoff) to 90°. 7 settings at 15° each.

**Finish:**

Formulated for high durability and long-lasting color

**Green Technology:**

Mercury and UV free. RoHS-compliant components.

**Other**

**Note:**

All values are typical (tolerance +/- 10%)

**Technical Specifications (continued)**

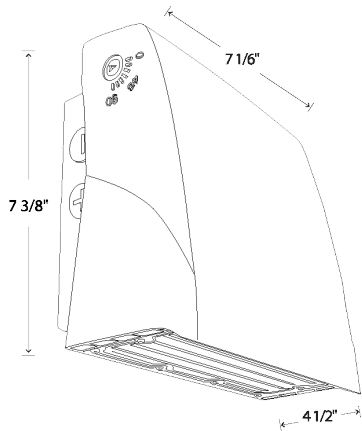
**5 Yr Limited Warranty:**

The RAB 5-year, limited warranty covers light output, driver performance and paint finish. RAB's warranty is subject to all terms and conditions found at [rablighting.com/warranty](http://rablighting.com/warranty).

**Buy American Act Compliance:**

RAB values USA manufacturing! Upon request, RAB may be able to manufacture this product to be compliant with the Buy American Act (BAA). Please contact customer service to request a quote for the product to be made BAA compliant.

**Dimensions**



**Features**

- Selectable CCT
- Adjustable cutoff
- Integrated photocell
- 0-10V dimming, standard

**Ordering Matrix**

Family	Wattage	Style
SLIM17FA	15	ADJ

15 = 15W    ADJ = Angle Adjustable  
30 = 30W