

INSTRUCTIONS

SLIM® 12W - 26W INSTALLATION

RAB®

RAB Lighting is committed to creating high-quality, affordable, well-designed and energy-efficient LED lighting and controls that make it easy for electricians to install and end users to save energy. We'd love to hear your comments. Please call the Marketing Department at 888-RAB-1000 or email: marketing@rablighting.com



IMPORTANT

READ CAREFULLY BEFORE INSTALLING FIXTURE. RETAIN THESE INSTRUCTIONS FOR FUTURE REFERENCE.

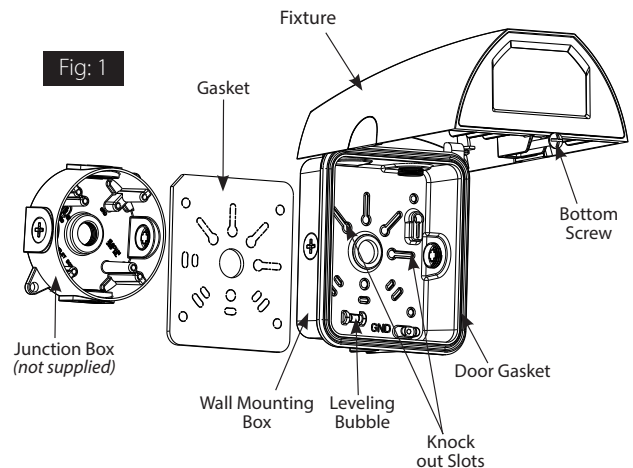
RAB fixtures must be wired in accordance with the National Electrical Code and all applicable local codes. Proper grounding is required for safety. THIS PRODUCT MUST BE INSTALLED IN ACCORDANCE WITH THE APPLICABLE INSTALLATION CODE BY A PERSON FAMILIAR WITH THE CONSTRUCTION AND OPERATION OF THE PRODUCT AND THE HAZARDS INVOLVED.

WARNING: Make certain power is OFF before installing or maintaining fixture. No user serviceable parts inside.

CAUTION: To ensure weatherproof seal, apply weatherproof silicone sealant around the edge of the Wall Mounting Box and/or Junction Box. This is especially important with an uneven wall surface. Silicone all plugs and unused conduit entries.

MOUNTING TO THE JUNCTION BOX

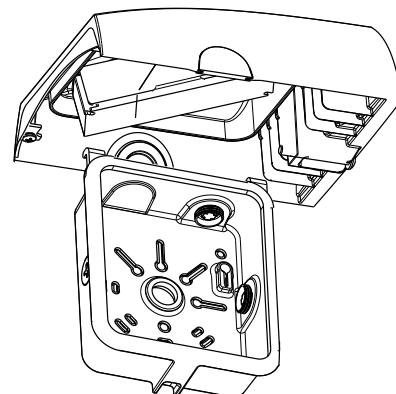
1. Loosen the **Bottom Screw** and open the **Fixture** (Fig. 1). Knock out appropriate **Slots** when mounting to **Junction Box** (not supplied).
2. Using the **Leveling Bubble** in the **Wall Mounting Box**, level the **Fixture**.
3. Feed supply wires through **Junction Box**, **Gasket** and **Wall Mounting Box**. Check that the **Gasket** is fully sealed.
4. Wire the **Fixture** using provided wire connectors.
5. Place wired **Fixture** over the **Wall Mounting Box**, close and tighten the **Bottom Screw**. Check **Door Gasket**.



MOUNTING TO WALL

1. Secure **Wall Mounting Box** to a sturdy wall. Use appropriate mounting hardware such as lag bolts and anchors with washers suitable for the mounting surface.
2. Using the **Leveling Bubble** in the **Wall Mounting Box**, level the **Fixture**.
3. Secure **Fixture** on top hinges as shown in Fig 2 for hands free wiring.
4. Wire the **Fixture** using provided wire connectors.
5. Place wired **Fixture** over the **Wall Mounting Box**, close and tighten the **Bottom Screw**. Check **Door Gasket**.

Fig: 2



INSTRUCTIONS

SLIM® 12W - 26W INSTALLATION



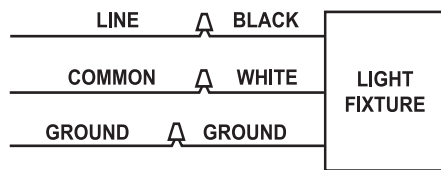
RAB Lighting is committed to creating high-quality, affordable, well-designed and energy-efficient LED lighting and controls that make it easy for electricians to install and end users to save energy. We'd love to hear your comments. Please call the Marketing Department at 888-RAB-1000 or email: marketing@rablighting.com

ON/OFF WIRING

Universal voltage driver permits operation at 120V to 277VAC, 50 or 60 Hz except fixtures factory ordered with a 120V photocell (/PC) or 277V swivel (/PC2). Units ordered with (/480) suffix are 480V, 60Hz (Fig. 3).

1. Connect the black fixture lead to the (+) **LINE** supply lead.
2. Connect the white fixture lead to the (-) **COMMON** supply lead.
3. Connect the **GROUND** wire from fixture to supply **GROUND**.

Fig: 3

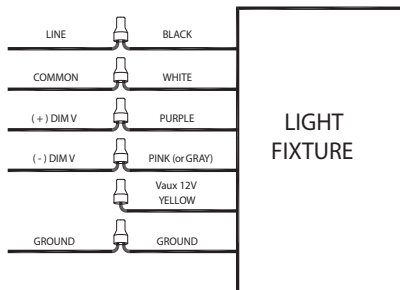


0-10V DIMMABLE WIRING

Universal voltage driver permits operation at 120V thru 277V, 50 or 60 Hz. For 0-10V Dimming, follow the wiring directions as shown in Fig. 4.

1. For Junction Box Mount, feed wires through silicone wiring plug into the junction box.
2. Connect the black fixture lead to the (+) **LINE** supply lead.
3. Connect the white fixture lead to the (-) **COMMON** supply lead.
4. Connect the **GROUND** wire from fixture to supply **GROUND**. Do NOT connect the **GROUND** of the dimming fixture to the output.
5. Connect the purple fixture lead to the (V+) DIM lead.
6. Connect the pink (or gray) fixture lead to the (V-) DIM lead.
7. Cap the yellow fixture lead, if present. Do NOT connect.

Fig: 4



CLEANING & MAINTENANCE

CAUTION: Be sure fixture temperature is cool enough to touch. Do not clean or maintain while fixture is energized.

1. Clean glass lens with non-abrasive glass cleaning solution.
2. Do not open the fixture to clean the LED. Do not touch the LED.

TROUBLESHOOTING

1. Check that the line voltage at the fixture is correct. Refer to wiring directions.
2. Is the fixture grounded properly?
3. Is the photocell, if used, functioning properly?

Note: These instructions do not cover all details or variations in equipment nor do they provide for every possible situation during installation, operation or maintenance.



© 2021 RAB LIGHTING INC.

SLIM 12-18-26 - IN - 1121
73297-RAB

Easy Answers

rablighting.com
Visit our website for product info

Tech Help Line
Call our experts: 888 722-1000

e-mail
Answered promptly - sales@rablighting.com

Free Lighting Layouts
Answered online or by request

RAB WARRANTY: RAB's warranty is subject to all terms and conditions found at rablighting.com/warranty.