

INSTRUCTIONS

FIELD-ADJUSTABLE SHARK® INSTALLATION

RAB®

RAB Lighting is committed to creating high-quality, affordable, well-designed and energy-efficient LED lighting and controls that make it easy for electricians to install and end users to save energy. We'd love to hear your comments. Please call the Marketing Department at 888-RAB-1000 or email: marketing@rablighting.com



SHARK - 8FT

IMPORTANT

READ CAREFULLY BEFORE INSTALLING FIXTURE. RETAIN THESE INSTRUCTIONS FOR FUTURE REFERENCE.

RAB fixtures must be wired in accordance with the National Electrical Code and all applicable local codes. Proper grounding is required for safety. THIS PRODUCT MUST BE INSTALLED IN ACCORDANCE WITH THE APPLICABLE INSTALLATION CODE BY A PERSON FAMILIAR WITH THE CONSTRUCTION AND OPERATION OF THE PRODUCT AND THE HAZARDS INVOLVED.

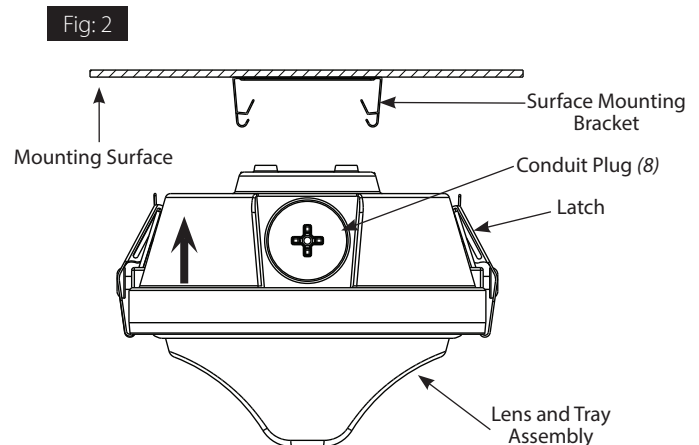
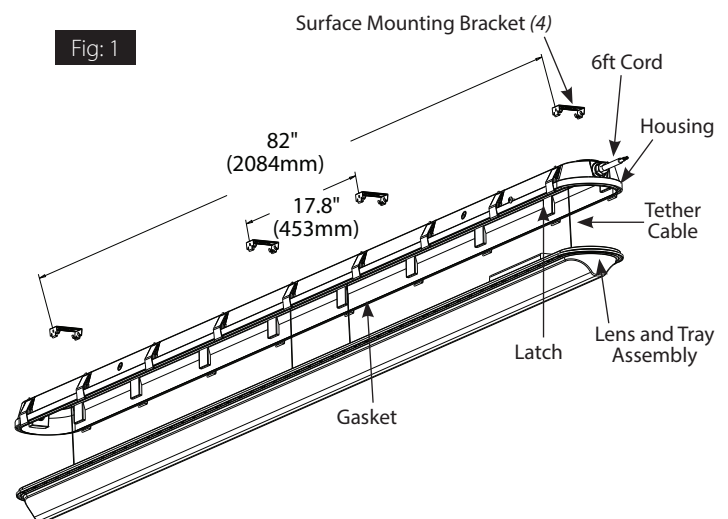
WARNING: Make certain power is OFF before installing or maintaining fixture. No user serviceable parts inside.

CAUTION: For proper weatherproof function all gaskets must be seated properly and all screws inserted and tightened firmly. Apply weatherproof silicone sealant around the edge of the ceiling mounting box and/or junction box. This is especially important with an uneven ceiling surface. Silicone all plugs and unused conduit entries.

SURFACE MOUNTING

The fixture is suitable for outdoor applications in wet locations either ceiling or wall mounted.

1. Use appropriate mounting screws (*not supplied*) to secure the **Surface Mounting Brackets (4 included)** to **Mounting Surface**.
WARNING: Mount Surface Mounting Brackets (4) farther away from each other and symmetrical about the center as shown in Fig. 1. **Surface Mounting Brackets (4)** must be aligned with each other to secure **Housing**.
2. Electrical splices can be easily made using **6ft Cord** attached to one end of the **Housing**. In order to use an alternate **Conduit Plug** entry point, follow steps below.
3. Unlatch the **Lens and Tray Assembly** from **Housing**. **Tether Cables** will prevent **Lens and Tray Assembly** from falling down as shown in Fig. 1.
4. Feed supply wires through one of the **Conduit Plugs (8)** to make electrical splices. Cord-grips (4) are provided and can be used based on the application.
5. Secure **Lens and Tray Assembly** to **Housing** by **Latch**. Be careful not to pinch wires. Check that the **Gasket** is fully seated.
6. Use appropriate UL approved wire connectors as required by code to complete connection with supply wires. Be careful not to pinch wires.
WARNING: To prevent wiring damage or abrasion, do not expose wiring to edges of sharp objects.
7. Snap **Housing** on **Surface Mounting Brackets (4)** as shown in Fig. 2. Ensure that the **Housing** is secure to **Surface Mounting Brackets**.
8. Use Silicone or Teflon tape on all **Conduit Plugs (8)** and on the threads of all conduit entry points. If outdoor surface is irregular, use caulk to seal any gaps around the **Housing**.



INSTRUCTIONS

FIELD-ADJUSTABLE SHARK® INSTALLATION

RAB®

RAB Lighting is committed to creating high-quality, affordable, well-designed and energy-efficient LED lighting and controls that make it easy for electricians to install and end users to save energy. We'd love to hear your comments. Please call the Marketing Department at 888-RAB-1000 or email: marketing@rablighting.com

NSF COMPLIANCE

To comply with NSF, apply silicone to the "X" drive on all plugs and any unused bracket mounting holes as shown in Fig. 3. Use food grade silicone such as Dow® Corning 732.

V-HOOK MOUNTING

(V-Hook for Chain Mounting *included*)

1. Secure **Surface Mounting Brackets (4)** to **Housing** as shown in Fig. 4. **WARNING: Surface Mounting Brackets** must be mounted to **Housing**.
2. Loop **V-Hook (4)** on **Surface Mounting Bracket (4)** as shown in Fig. 4.
3. To suspend **Housing**, connect each **V-Hook** to two (2) equal lengths of chain (*not supplied*) and/or appropriate hardware (*by others*) suitable for mounting surface. Chains must be suitable to support four (4) times the weight of the fixture.

TAMPERPROOF MOUNTING

Tamper Proof Bracket Accessory
(TPKSHARK8-G2 *ordered separately*)

1. Use appropriate mounting hardware (*not supplied*) to secure the **TPKSHARK8-G2 Bracket (4)** to **Mounting Surface**.
2. Recommended **TPKSHARK8-G2 Bracket** distance center to center is 17 3/4" and end to end is 82".
3. Push **Housing** into **TPKSHARK8-G2 Bracket (4)** as shown in Fig. 5. and fasten onto **Lens Groove**.
4. Secure **Housing** onto **TPKSHARK8-G2 Bracket** with provided **Screws (2 per Bracket)** using star head T25 Drive as shown in Fig. 5.

JUNCTION BOX MOUNTING

Junction Box Bracket Accessory Fig. 6
(JBSHARK8-G2 *ordered separately*)

1. Use appropriate mounting hardware (*not supplied*) to secure the **JBSHARK8-G2 Bracket (2)** to **Mounting Surface** or **Junction Box** (*supplied by others*). Check that the **Gasket (2)** is fully seated. Use Cord Grip provided to feed supply wires into fixture.
2. Recommended **JBSHARK8-G2 Bracket** distance center to center is 38 1/8" and end to end is 51 5/8".
3. Use appropriate UL approved wire connectors as required by code to complete wiring with supply wires. Be careful not to pinch the wires.
4. Push **Housing** into **JBSHARK8-G2 Bracket** to secure fixture to **Mounting Surface** as shown in Fig. 7.

Fig: 3

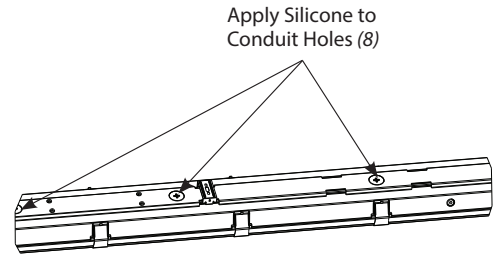


Fig: 4

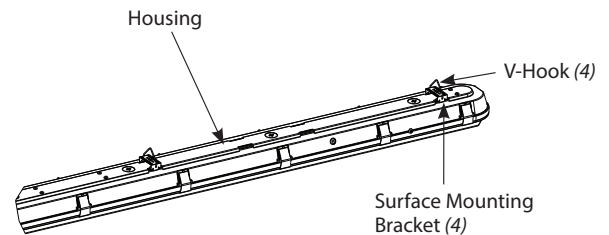


Fig: 5

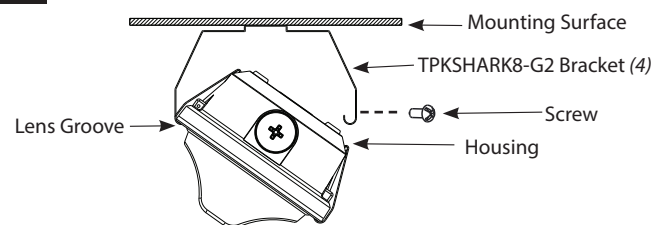


Fig: 6

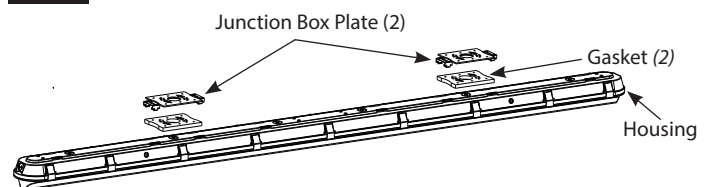
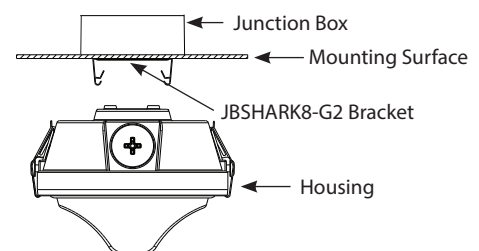


Fig: 7



INSTRUCTIONS

FIELD-ADJUSTABLE SHARK® INSTALLATION



RAB Lighting is committed to creating high-quality, affordable, well-designed and energy-efficient LED lighting and controls that make it easy for electricians to install and end users to save energy. We'd love to hear your comments. Please call the Marketing Department at 888-RAB-1000 or email: marketing@rablighting.com

ANGLE SURFACE MOUNTING

Angle Surface Mounting Brackets Fig. 8 (ANGSHARK8-G2 ordered separately)

1. Use appropriate mounting hardware (*not supplied*) to secure the **ANGSHARK8-G2 Bracket (4)** to **Mounting Surface**.
2. Recommended **ANGSHARK8-G2 Bracket** distance center to center is 17 3/4" and end to end is 82".
3. Secure **Surface Mounting Brackets (4)** to **ANGSHARK8-G2 Bracket (4)** with **Screws** provided.
4. Snap **Housing** on **Surface Mounting Brackets (2)** as shown in Fig. 9.

Fig: 8

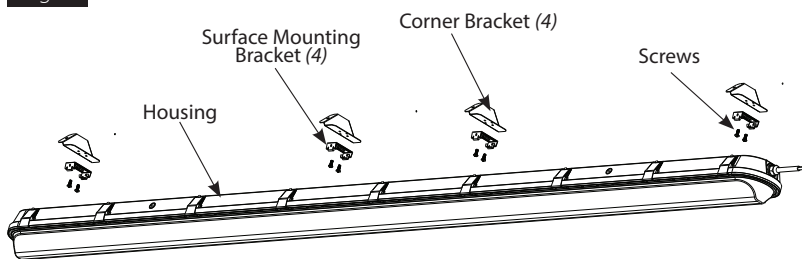
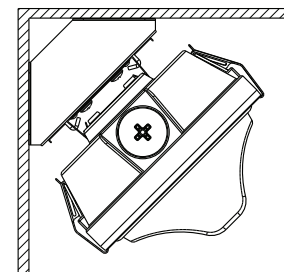


Fig: 9



FIELD ADJUSTMENT

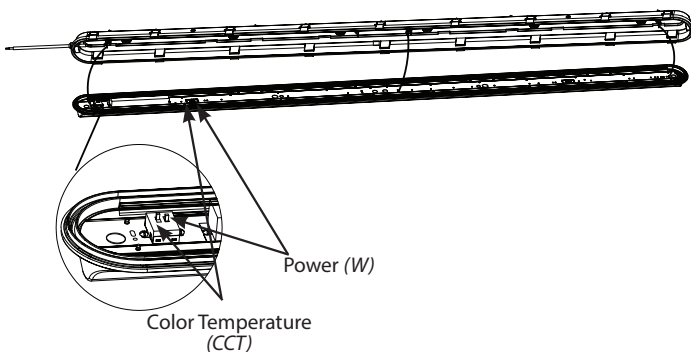
Follow instructions below to change the **Fixture Power (W)** and/or **Color Temperature (CCT)** from factory settings:

Factory Settings:

SHARK8 100W / 4000K

1. Locate the **Field Adjustable Switches** inside the **Lens and Tray Assembly** as shown in Fig. 10.
2. Select **Power (W)** and **Color Temperature (CCT)** by sliding respective switch to the desired value (Fig. 10).

Fig: 10

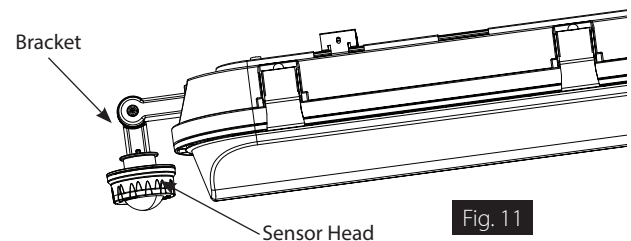


PIR MODELS

Screw **Sensor Head** onto the **Bracket** as shown in Fig. 11. See factory settings below (*optional remote sold separately for custom settings, CAT# MSR1*).

Factory Settings:

- Brightness: 100%
- Hold Time: 1 Minute
- Daylight: Disabled
- Sensitivity: 100%
- Stand-by dimming level: 20%
- Stand-by time: 1 Minute



MVS MODELS (Internal)

(*optional remote sold separately for custom settings, CAT# MSR1*).

Factory Settings:

- Brightness: 100%
- Hold Time: 1 Minute
- Daylight: Disabled
- Sensitivity: 100%
- Stand-by dimming level: 20%
- Stand-by time: 1 Minute

INSTRUCTIONS

FIELD-ADJUSTABLE SHARK® INSTALLATION



RAB Lighting is committed to creating high-quality, affordable, well-designed and energy-efficient LED lighting and controls that make it easy for electricians to install and end users to save energy. We'd love to hear your comments. Please call the Marketing Department at 888-RAB-1000 or email: marketing@rablighting.com

LIGHTCLOUD® BLUE MVS & PIR MODELS

This is a 12V low voltage controller with an integrated occupancy sensor. Screw the Sensor Head onto the Bracket as shown in Fig. 9.

Factory Settings: Uncommissioned State

- Motion Sensitivity: High
- Brightness when triggered: 100%
- Hold time: 1 Minute
- Standby to dim: 20%
- Stand-by time: 1 Minute

Factory Settings: Commissioned State

- Motion Sensitivity: High
- Brightness when triggered: Last on status
- Hold time: 20 Minute
- When vacant: Off

Sensors can work independently or to control a group. The sensor settings can be adjusted at the Area level in the Lightcloud Blue App.

ENABLE DEVICE PAIRING MODE

If your Lightcloud Blue Low Voltage Controller+Sensor is already paired there are various options to choose from to return the device to the default factory settings.

Method 1: Delete from the App

Open the app and access the device settings for the paired device. Be sure that the device is online with a strong connection and select 'Delete'. The fixture will flash 3x, then reset to 100% brightness.

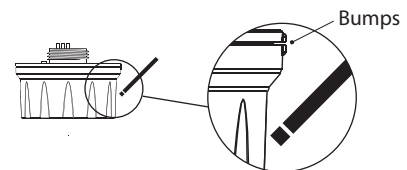
Method 2: Rapid Reset Tool

The Rapid Reset process must be done by a professional electrician qualified by RAB. Reach out to your RAB sales manager to request a Rapid Reset Tool. The tool simply needs to be placed directly on the side of the device for 2s or until the fixture flashes 3x, then resets to 100% brightness.

CONTROLLING LIGHTCLOUD BLUE DEVICE

1. Confirm your device is powered on.
2. Download the Lightcloud Blue app from the Apple® App store or Google Play™ store.
3. Launch the App and create an account or login.
4. Tap the "add device" icon in the app to start connecting devices.
5. Follow the remaining steps in the app. Create Areas and Groups and add Scenes to organize and control your devices.

Fig:12



Note: These instructions do not cover all details or variations in equipment nor do they provide for every possible situation during installation, operation or maintenance.

INSTRUCTIONS

FIELD-ADJUSTABLE SHARK® INSTALLATION



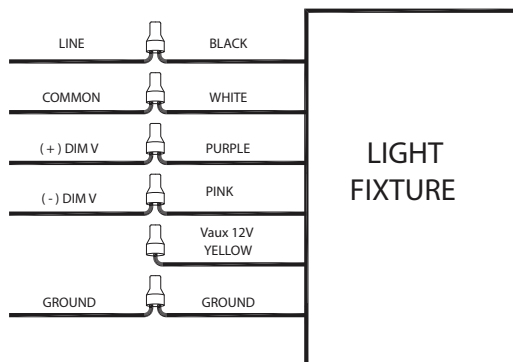
RAB Lighting is committed to creating high-quality, affordable, well-designed and energy-efficient LED lighting and controls that make it easy for electricians to install and end users to save energy. We'd love to hear your comments. Please call the Marketing Department at 888-RAB-1000 or email: marketing@rablighting.com

0-10V DIMMABLE WIRING

Universal voltage driver permits operation at 120V through 277V, 50 or 60 Hz. For 0-10V dimming follow the wiring directions in Fig. 13.

1. Connect the black fixture lead to the **LINE** supply lead.
2. Connect the white fixture lead to the **COMMON** supply lead.
3. Connect the **GROUND** wire from fixture to supply ground. Do **NOT** connect the **GROUND** of the dimming fixture to the output.
4. Connect the purple fixture lead to the (V+) DIM lead.
5. Connect the pink fixture lead to the (V-) DIM lead.
6. Cap the yellow fixture lead, if present. Do NOT connect.

Fig: 13



TROUBLESHOOTING

1. Check that the line voltage at the fixture is correct. Refer to wiring directions.
2. Is the fixture grounded properly?

CLEANING & MAINTENANCE

CAUTION: Be sure fixture temperature is cool enough to touch. Do not clean or maintain while fixture is energized.

1. Lens should be washed in a solution of warm water and any mild, non-abrasive household detergent, rinsed with clean water and wiped dry.
WARNING: Polycarbonate is affected by cleaning agents or other liquids containing partial solvents such as low molecular weight aldehydes and ethers, ketones, esters, aromatic hydrocarbons and perchlorinated hydrocarbons. In addition, chemical attack ranging from partial to complete destruction of polycarbonate occurs in contact with alkalines, alkali salts, amines and high zone concentrations. Please go to rablighting.com for a detailed list of damaging chemicals.
2. Do not open fixture to clean the LED. Do not touch the LED.

INSTRUCTIONS

FIELD-ADJUSTABLE SHARK® INSTALLATION



RAB Lighting is committed to creating high-quality, affordable, well-designed and energy-efficient LED lighting and controls that make it easy for electricians to install and end users to save energy. We'd love to hear your comments. Please call the Marketing Department at 888-RAB-1000 or email: marketing@rablighting.com

BATTERY BACKUP MODELS

WIRING

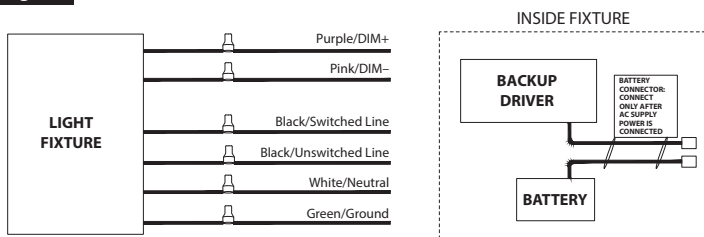
CAUTION: FOR BATTERY BACKUP FIXTURE. Voltage could be present in **BATTERY**. To prevent high voltage from being present on output leads, inverter connector must be open. Do not join **BATTERY** connector until installation is complete and AC power is supplied to the emergency driver (Fig. 14)

NOTE: Make sure that the necessary branch circuit wiring is available. An **UNSWITCHED** AC source of power is required. The emergency driver must be fed from the same branch circuit as the LED driver.

CAUTION: Do not use any supply voltage other than 120-277V 50/60 HZ.

1. Connect **UNSWITCHED HOT** fixture lead to **HOT** AC supply line.
2. If using an **UNSWITCHED** circuit, connect **UNSWITCHED** and **SWITCHED** lines together.
3. If using a **SWITCHED** circuit, connect **SWITCHED HOT** AC fixture lead to the external **SWITCHED**.
4. Connect the **NEUTRAL** fixture lead to the **NEUTRAL** supply line.
5. For 0-10V dimming, connect **DIM (+)** and **DIM (-)** to the supply **DIM (+)** and **DIM (-)**.
6. Connect **GROUND** lead from the fixture to the supply ground. Do not connect **GROUND** to the output leads.
7. All unused lead must be capped and insulated.
8. After installation is complete, supply AC power to the fixture and connect the **BATTERY**.
9. When power is on, the fixture should be on and the Charging Indicator Light should illuminate to indicate the battery is charging.
10. Once the **BATTERY** has charged for at least one hour, a short duration test may be performed by pressing the test button.
11. After the battery has charged for 24 hours, a long duration test can be performed by shutting power to the fixture.

Fig: 14



OPERATION

1. When AC power is applied, the charging indicator light is illuminated, indicating that the **BATTERY** is being charged.
2. When power fails, the standby power automatically switches to emergency power (*internal battery*), operating at reduced illumination. Not all LED boards will illuminate with standby power. The emergency driver supplies 25W of power in standby power for a minimum of 90 minutes.
3. When AC power is restored, the emergency driver automatically returns to charging mode.

MAINTENANCE

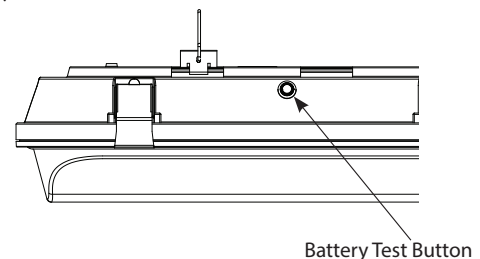
Although no routine maintenance is required to keep the emergency driver functional, it should be checked periodically to ensure that it is working. The following schedule is recommended:

1. Visually inspect the charging indicator light monthly. It should be illuminated.
2. Test the emergency operation of the fixture at 30-day intervals for a minimum of 30 seconds.
3. Conduct a 90-minute discharge test once a year. Fixture would operate at reduced illumination for a minimum of 90 minutes.

TROUBLESHOOTING

1. Is the fixture grounded properly?
2. If the charging indicator light does not illuminate after pressing the test button (Fig. 15), check if battery is connected properly.

Fig: 15



Note: These instructions do not cover all details or variations in equipment nor do they provide for every possible situation during installation, operation or maintenance.



© 2023 RAB LIGHTING Inc.

Easy Answers

rablighting.com
Visit our website for product info

Tech Help Line
Call our experts: 888 722-1000

e-mail
Answered promptly - sales@rablighting.com

Free Lighting Layouts
Answered online or by request