

The four-foot SHARK is available in 36W and 50W versions. This impact-resistant linear LED washdown fixture is ideal for tunnels, stairwells and other hard-to-reach areas where relamping is difficult and costly. 0-10V dimming models available.

Color: White

Weight: 0.0 lbs

Project:

Type:

Prepared By:

Date:

Driver Info

Type	Constant Current
120V	0.42A/0.35A/0.26A
208V	0.24A/0.20A/0.15A
240V	0.21A/0.17A/0.13A
277V	0.19A/0.15A/0.12A
Input Watts	30.1-50.7W

LED Info

Watts	50/40/30W
Color Temp	3500K/4000K/5000K
Color Accuracy	84-86 CRI
L70 Lifespan	100,000 Hours
Lumens	4,489-7,323 lm
Efficacy	139.1-154.8 lm/W

Technical Specifications

Compliance

UL Listed:

Suitable for wet locations

NSF:

NSF Certified by Public Health and Safety

DLC Listed:

This product is on the Design Lights Consortium (DLC) Qualified Products List and is eligible for rebates from DLC Member Utilities. Designed to meet DLC 5.1 requirements.

DLC Product Code: S-ICZWTG (Direct Linear Ambient Luminaires)

DLC Product Code: S-QEWAXU (Stairwell and Passageway Luminaires)

DLC Product Code: S-V8PXFE (Low-Bay Luminaires for Commercial and Industrial Buildings)

Electrical

Dimming Driver:

Driver includes dimming control wiring for 0-10V dimming systems. Requires separate 0-10V DC dimming circuit. Dims down to 10%.

THD:

2.8% at 120V, 3.03% 277V

Power Factor:

99.9% at 120V, 97.7% at 277V

Surge Protection:

2.5kV

Construction

Housing:

IK09 impact-resistant polycarbonate with 5VA flame rating*

1/2" openings for conduit and bushing/cord entry

*Polycarbonate is affected by cleaning agents or other liquids containing partial solvents such as low molecular weight aldehydes and ethers, ketones, esters, aromatic hydrocarbons and perchlorinated hydrocarbons. [Click here for a detailed list of damaging chemicals.](#)

Mounting:

Quick-mount, surface, stainless steel spring clips supplied. 4 additional mounting accessory kits available.

Lens:

Diffuse polycarbonate lens for low glare and maximum protection

Maximum Ambient Temperature:

Suitable for use in up to 40°C (104°F)

Cold Weather Starting:

The minimum starting temperature is -40°C (-40°F)

Green Technology:

Mercury and UV free. RoHS-compliant components.

Finish:

Formulated for high durability and long-lasting color

LED Characteristics

LEDs:

Long-life, high-efficacy, surface-mount LEDs

Color Stability:

LED color temperature is warranted to shift no more than 200K in color temperature over a 5-year period

Color Uniformity:

RAB's range of Correlated Color Temperature follows the guidelines of the American National Standard for Specifications for the Chromaticity of Solid State Lighting (SSL) Products, ANSI C78.377-2017.

Performance

Lifespan:

100,000-Hour LED lifespan based on IES LM-80 results and TM-21 calculations

Sensor Specifications

Passive Infrared Occupancy and Daylight Sensor:

PIR sensor with IR remote capability. High/Low bay passive infrared occupancy and daylight sensor.

Technical Specifications (continued)**UL Listed:**

Indoor use only

Brightness:

Factory Setting: 100%

Hold Time:

1 minute

Daylight:

Disabled

Sensitivity:

100%

Stand-By Dimming Level:

20%

Stand-By Time:

1 minute

Operating Voltage:

12 ± 2V DC

Operating Current:

30mA

Output:

DIM 0-10V

Stand-By Power:

<0.5W

Daylight Threshold:

10Lux/30Lux/50Lux/100Lux/Disable

Lux On-Off:

Adopted dual PD technology

Detection Angle:

≤120° (wall mounted) 360° (ceiling mounted)

Control Line:

Black White 12V+ ; Purple: DIM+ ; Pink
GND/DIMMounting

Height:

Max 20ft/6M (ceiling mounted)

Detection Range:

Max 26ft/8M (ceiling mounted) Max 20ft/6m (wall
mounted)

Operating Temperature:

-30°C to +60°C (-22°F to + 140°F)

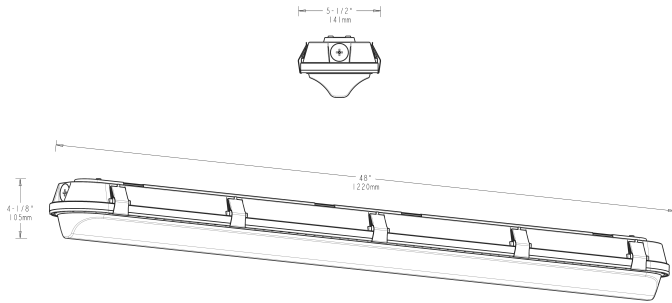
Other**Warranty:**

RAB warrants that our LED products will be free from defects in materials and workmanship for a period of five (5) years from the date of delivery to the end user, including coverage of light output, color stability, driver performance and fixture finish. RAB's warranty is subject to all terms and conditions found at rablighting.com/warranty.

Buy American Act Compliance:

RAB values USA manufacturing! Upon request, RAB may be able to manufacture this product to be compliant with the Buy American Act (BAA). Please contact customer service to request a quote for the product to be made BAA compliant.

Dimensions



Features

- Impact-resistant linear washdown
- Ideal for tunnels and stairwells
- Mounting options: Chain, junction box, angled surface mount or vandal-resistant surface mount
- IP66 Rating protects against dust & water ingress
- 5-Year, No-Compromise Warranty
- 100,000-Hour LED lifespan

Ordering Matrix

Family	Size/Wattages	Mounting	Color Temp	Finish	Voltage	Options
SHARK	4					/PIR
	2 = 2ft (25/20/15W) 2M = 2ft (25/20/15W) Marine Listed 4 = 4ft (50/40/30W) 4M = 4ft (50/40/30W) Marine Listed 8 = 8ft (100/80/60W) 8M = 8ft (100/80/60W) Marine Listed	Blank = Metal Bracket with hooks	Blank = 3500/4000/5000K	Blank = White	Blank = 120-277V, 0-10V Dimming	Blank = No Option /E = Battery Backup /LC = Lightcloud® Blue Enabled /MVS = Microwave Occupancy Sensor /PIR = Passive Infrared Occupancy Sensor /LCBS = Lightcloud® Blue Enabled w/ PIR Sensor /LCBS/MVS = Lightcloud® Blue Enabled w/ MVS Sensor /MVS/E = Microwave Occupancy Sensor w/ Battery Backup /PIR/E = Passive Infrared Occupancy Sensor w/ Battery Backup /LCBS/E = Lightcloud® Blue Enabled w/ PIR Sensor & Battery Backup /LCBS/MVS/E = Lightcloud® Blue Enabled w/ MVS Sensor & Battery Backup