

Technical Specifications (continued)

Performance

Lifespan:

100,000-Hour LED lifespan based on IES LM-80 results and TM-21 calculations

Sensor Specifications

Operating Voltage:

12V DC

Operating Current:

≤25mA

Detection Area:

25%/50%/75%/100%

Maximum Mounting Height:

20 ft

Customizable Detection Area:

10, 50, 75 or 100%

Hold Time:

5s, 30s, 1min, 3min, 5min, 10min, 20min, 30min

Cut-Off Period:

0s/10s/30s/1min/5min/10min/30min/+∞

Cut-Off Dimming Level:

10,20,30,50%

Cut-Off Power:

≤0.5W

Daylight Threshold:

2Lux/10Lux/30Lux/50Lux/80Lux/120Lux/Disable

Sensor Principle:

High Frequency

Microwave Frequency:

5.8GHz +/- 75MHz

Microwave Power:

<0.3mW

Max Detection Range:

46 ft

Operating Temperature:

-20°C to +60°C (-4°F to + 140°F)

Remote Control:

Adjust settings using remote control (catalog# MSR1). Only available with 0-10V dimming driver options. [Remote control available here.](#)

Other

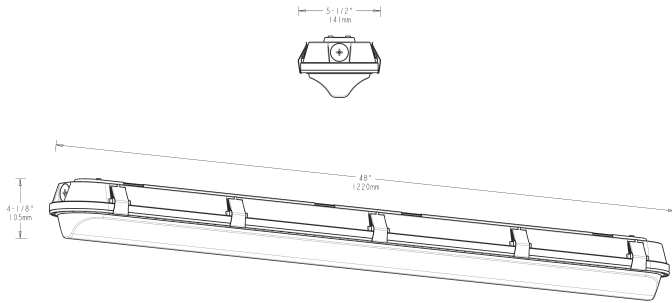
Warranty:

RAB warrants that our LED products will be free from defects in materials and workmanship for a period of five (5) years from the date of delivery to the end user, including coverage of light output, color stability, driver performance and fixture finish. RAB's warranty is subject to all terms and conditions found at rablighting.com/warranty.

Buy American Act Compliance:

RAB values USA manufacturing! Upon request, RAB may be able to manufacture this product to be compliant with the Buy American Act (BAA). Please contact customer service to request a quote for the product to be made BAA compliant.

Dimensions



Features

- Impact-resistant linear washdown
- Ideal for tunnels and stairwells
- Mounting options: Chain, junction box, angled surface mount or vandal-resistant surface mount
- IP66 Rating protects against dust & water ingress
- 5-Year, No-Compromise Warranty
- 100,000-Hour LED lifespan

Ordering Matrix

Family	Size/Wattages	Mounting	Color Temp	Finish	Voltage	Options
SHARK	4					/MVS/E
	2 = 2ft (25/20/15W) 2M = 2ft (25/20/15W) Marine Listed 4 = 4ft (50/40/30W) 4M = 4ft (50/40/30W) Marine Listed 8 = 8ft (100/80/60W) 8M = 8ft (100/80/60W) Marine Listed	Blank = Metal Bracket with hooks	Blank = 3500/4000/5000K	Blank = White	Blank = 120-277V, 0-10V Dimming	Blank = No Option /E = Battery Backup /LC = Lightcloud® Blue Enabled /MVS = Microwave Occupancy Sensor /PIR = Passive Infrared Occupancy Sensor /LCBS = Lightcloud® Blue Enabled w/ PIR Sensor /LCBS/MVS = Lightcloud® Blue Enabled w/ MVS Sensor /MVS/E = Microwave Occupancy Sensor w/ Battery Backup /PIR/E = Passive Infrared Occupancy Sensor w/ Battery Back Up /LCBS/E = Lightcloud® Blue Enabled w/ PIR Sensor & Battery Backup /LCBS/MVS/E = Lightcloud® Blue Enabled w/ MVS Sensor & Battery Backup