

Technical Specifications (continued)

Other

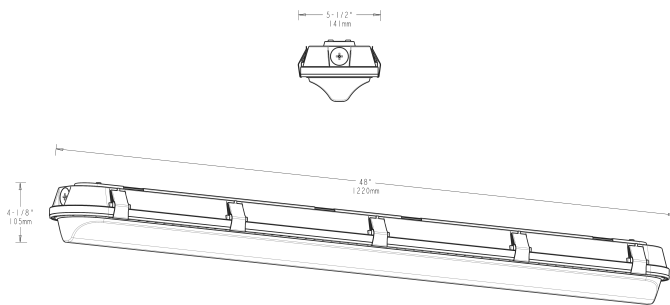
Warranty:

RAB warrants that our LED products will be free from defects in materials and workmanship for a period of five (5) years from the date of delivery to the end user, including coverage of light output, color stability, driver performance and fixture finish. RAB's warranty is subject to all terms and conditions found at rablighting.com/warranty.

Buy American Act Compliance:

RAB values USA manufacturing! Upon request, RAB may be able to manufacture this product to be compliant with the Buy American Act (BAA). Please contact customer service to request a quote for the product to be made BAA compliant.

Dimensions



Features

UL Marine Listed

Impact-resistant linear washdown

Ideal for tunnels and stairwells

Mounting options: Chain, junction box, angled surface mount or vandal-resistant surface mount

IP66 Rating protects against dust & water ingress

5-Year, No-Compromise Warranty

100,000-Hour LED lifespan

Ordering Matrix

Family	Size/Wattages	Mounting	Color Temp	Finish	Voltage	Options
SHARK	4M					/E
	2 = 2ft (25/20/15W) 2M = 2ft (25/20/15W) Marine Listed 4 = 4ft (50/40/30W) 4M = 4ft (50/40/30W) Marine Listed 8 = 8ft (100/80/60W) 8M = 8ft (100/80/60W) Marine Listed	Blank = Metal Bracket with hooks	Blank = 3500/4000/5000K	Blank = White	Blank = 120-277V, 0-10V Dimming	Blank = No Option /E = Battery Backup /LC = Lightcloud® Blue Enabled /MVS = Microwave Occupancy Sensor /PIR = Passive Infrared Occupancy Sensor /LCBS = Lightcloud® Blue Enabled w/ PIR Sensor /LCBS/MVS = Lightcloud® Blue Enabled w/ MVS Sensor /MVS/E = Microwave Occupancy Sensor w/ Battery Backup /PIR/E = Passive Infrared Occupancy Sensor w/ Battery Backup /LCBS/E = Lightcloud® Blue Enabled w/ PIR Sensor & Battery Backup /LCBS/MVS/E = Lightcloud® Blue Enabled w/ MVS Sensor & Battery Backup