

The four-foot SHARK is available in 36W and 50W versions. This impact-resistant linear LED washdown fixture is ideal for tunnels, stairwells and other hard-to-reach areas where relamping is difficult and costly. 0-10V dimming models available.

Color: White

Weight: 0.0 lbs

<b>Project:</b>	<b>Type:</b>
<b>Prepared By:</b>	<b>Date:</b>

Driver Info		LED Info	
Type	Constant Current	Watts	50/40/30W
120V	0.42A/0.35A/0.26A	Color Temp	3500K/4000K/5000K
208V	0.24A/0.20A/0.15A	Color Accuracy	84-86 CRI
240V	0.21A/0.17A/0.13A	L70 Lifespan	100,000 Hours
277V	0.19A/0.15A/0.12A	Lumens	4,489-7,323 lm
Input Watts	30.1-50.7W	Efficacy	139.1-154.8 lm/W

## Technical Specifications

### Compliance

#### UL Listed:

Suitable for wet locations

#### NSF:

NSF Certified by Public Health and Safety

#### DLC Listed:

This product is on the Design Lights Consortium (DLC) Qualified Products List and is eligible for rebates from DLC Member Utilities. Designed to meet DLC 5.1 requirements.

DLC Product Code: S-ICZWTG (Direct Linear Ambient Luminaires)

DLC Product Code: S-QEWAXU (Stairwell and Passageway Luminaires)

DLC Product Code: S-V8PXFEE (Low-Bay Luminaires for Commercial and Industrial Buildings)

### Electrical

#### Dimming Driver:

Driver includes dimming control wiring for 0-10V dimming systems. Requires separate 0-10V DC dimming circuit. Dims down to 10%.

#### THD:

2.8% at 120V, 3.03% 277V

#### Power Factor:

99.9% at 120V, 97.7% at 277V

#### Surge Protection:

2.5kV

#### Battery Backup:

Battery backup will operate the fixture for 90 minutes if power fails. Wired for 120-277V.

#### Battery Backup Light Loss Factor:

0.207

### Construction

#### Housing:

IK09 impact-resistant polycarbonate with 5VA flame rating\*

1/2" openings for conduit and bushing/cord entry  
 \*Polycarbonate is affected by cleaning agents or other liquids containing partial solvents such as low molecular weight aldehydes and ethers, ketones, esters, aromatic hydrocarbons and perchlorinated hydrocarbons. [Click here for a detailed list of damaging chemicals.](#)

#### Mounting:

Quick-mount, surface, stainless steel spring clips supplied. 4 additional mounting accessory kits available.

#### Lens:

Diffuse polycarbonate lens for low glare and maximum protection

#### Maximum Ambient Temperature:

Suitable for use in up to 40°C (104°F)

#### Cold Weather Starting:

The minimum starting temperature is -40°C (-40°F)

#### Green Technology:

Mercury and UV free. RoHS-compliant components.

#### Finish:

Formulated for high durability and long-lasting color

### LED Characteristics

#### LEDs:

Long-life, high-efficacy, surface-mount LEDs

#### Color Stability:

LED color temperature is warrantied to shift no more than 200K in color temperature over a 5-year period

#### Color Uniformity:

RAB's range of Correlated Color Temperature follows the guidelines of the American National Standard for Specifications for the Chromaticity of Solid State Lighting (SSL) Products, ANSI C78.377-2017.

## Technical Specifications (continued)

### Performance

#### Lifespan:

100,000-Hour LED lifespan based on IES LM-80 results and TM-21 calculations

### Other

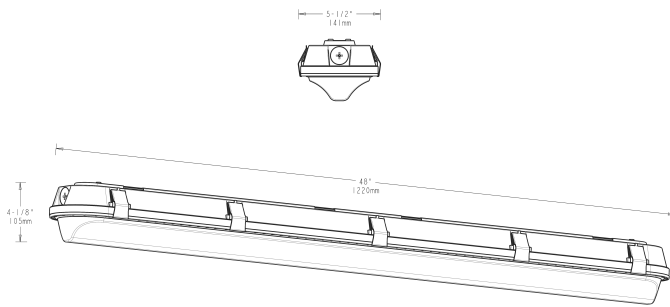
#### Warranty:

RAB warrants that our LED products will be free from defects in materials and workmanship for a period of five (5) years from the date of delivery to the end user, including coverage of light output, color stability, driver performance and fixture finish. RAB's warranty is subject to all terms and conditions found at [rablighting.com/warranty](http://rablighting.com/warranty).

#### Buy American Act Compliance:

RAB values USA manufacturing! Upon request, RAB may be able to manufacture this product to be compliant with the Buy American Act (BAA). Please contact customer service to request a quote for the product to be made BAA compliant.

## Dimensions



## Features

Impact-resistant linear washdown

Ideal for tunnels and stairwells

Mounting options: Chain, junction box, angled surface mount or vandal-resistant surface mount

IP66 Rating protects against dust & water ingress

5-Year, No-Compromise Warranty

100,000-Hour LED lifespan

## Ordering Matrix

Family	Size/Wattages	Mounting	Color Temp	Finish	Voltage	Options
SHARK	4 2 = 2ft (25/20/15W) 2M = 2ft (25/20/15W) Marine Listed 4 = 4ft (50/40/30W) 4M = 4ft (50/40/30W) Marine Listed 8 = 8ft (100/80/60W) 8M = 8ft (100/80/60W) Marine Listed	Blank = Metal Bracket with hooks	Blank = 3500/4000/5000K	Blank = White	Blank = 120-277V, 0-10V Dimming	/E Blank = No Option /E = Battery Backup /LC = Lightcloud® Blue Enabled /MVS = Microwave Occupancy Sensor /PIR = Passive Infrared Occupancy Sensor /LCBS = Lightcloud® Blue Enabled w/ PIR Sensor /LCBS/MVS = Lightcloud® Blue Enabled w/ MVS Sensor /MVS/E = Microwave Occupancy Sensor w/ Battery Backup /PIR/E = Passive Infrared Occupancy Sensor w/ Battery Back Up /LCBS/E = Lightcloud® Blue Enabled w/ PIR Sensor & Battery Backup /LCBS/MVS/E = Lightcloud® Blue Enabled w/ MVS Sensor & Battery Backup