

The four-foot SHARK is available in 36W and 50W versions. This impact-resistant linear LED washdown fixture is ideal for tunnels, stairwells and other hard-to-reach areas where relamping is difficult and costly. 0-10V dimming models available.

Color: White

Weight: 12.2 lbs

<b>Project:</b>	<b>Type:</b>
<b>Prepared By:</b>	<b>Date:</b>

Driver Info		LED Info	
Type	Constant Current	Watts	50W
120V	0.40A	Color Temp	N/A
208V	0.24A	Color Accuracy	N/A
240V	0.21A	L70 Lifespan	N/A
277V	0.18A	Lumens	6,862 lm
Input Watts	48.2W	Efficacy	142.4 lm/W

## Technical Specifications

### Compliance

#### UL Listed:

Suitable for wet locations

#### UL 94:

5VA flame classification

#### NSF:

NSF Certified by Public Health and Safety

#### IP Rating:

Ingress protection rating of IP66 for dust and water

#### NEMA Rating:

4X, protected against corrosion

#### IESNA LM-79 & LM-80 Testing:

RAB LED luminaires and LED components have been tested by an independent laboratory in accordance with IESNA LM-79 and LM-80.

#### DLC Listed:

This product is on the Design Lights Consortium (DLC) Qualified Products List and is eligible for rebates from DLC Member Utilities.

DLC Product Code: P6ZKBVP8

DLC Product Code: PA687GU4

DLC Product Code: PXSJ44RX

### Construction

#### Length:

4 ft

#### Reflector:

Specular polycarbonate

#### Housing:

IK09 impact-resistant polycarbonate with 5VA flame rating\*

1/2" openings for conduit and bushing/cord entry

\*Polycarbonate is affected by cleaning agents or other liquids containing partial solvents such as low molecular weight aldehydes and ethers, ketones, esters, aromatic hydrocarbons and perchlorinated hydrocarbons. [Click here for a detailed list of damaging chemicals.](#)

#### Mounting:

Quick-mount, surface, stainless steel spring clips and V-Hook with bracket screws are supplied. 3 additional mounting accessory kits available.

#### Lens:

Textured, diffuse polycarbonate lens for low glare and maximum protection

#### Gaskets:

EVA

### Cold Weather Starting:

The minimum starting temperature is -30°C (-22°F)

### Maximum Ambient Temperature:

Suitable for use in up to 40°C (104°F)

### Finish:

Formulated for high durability and long-lasting color

### Cord:

6 ft cord

### LED Characteristics

#### LEDs:

Long-life, high-efficacy, surface-mount LEDs

### Color Uniformity:

RAB's range of Correlated Color Temperature follows the guidelines of the American National Standard for Specifications for the Chromaticity of Solid State Lighting (SSL) Products, ANSI C78.377-2017.

### Electrical

#### Driver:

Constant Current, Class 2, 120-277V, 50/60 Hz, 120V: 0.40A, 208V: 0.24A, 240V: 0.21A, 277V: 0.18A

#### THD:

3.58% at 120V, 10.7% at 277V

## Technical Specifications (continued)

### Power Factor:

99.7% at 120V, 95% at 277V

### Surge Protection:

4kV

## Performance

### Lifespan:

100,000-Hour LED lifespan based on IES LM-80 results and TM-21 calculations

## Other

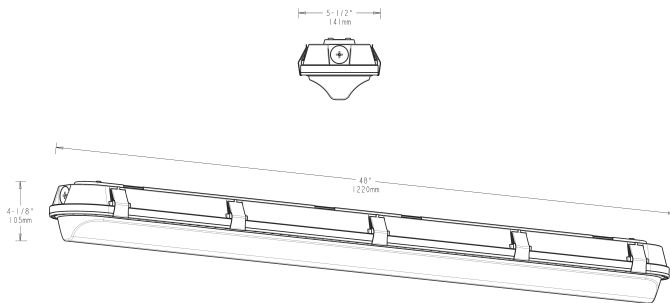
### Warranty:

RAB warrants that our LED products will be free from defects in materials and workmanship for a period of five (5) years from the date of delivery to the end user, including coverage of light output, color stability, driver performance and fixture finish. RAB's warranty is subject to all terms and conditions found at [rablighting.com/warranty](http://rablighting.com/warranty).

### Buy American Act Compliance:

RAB values USA manufacturing! Upon request, RAB may be able to manufacture this product to be compliant with the Buy American Act (BAA). Please contact customer service to request a quote for the product to be made BAA compliant.

## Dimensions



## Features

Impact-resistant linear washdown

Ideal for tunnels and stairwells

Mounting options: Chain, junction box, angled surface mount or vandal-resistant surface mount

IP66 Rating protects against dust & water ingress

5-Year, No-Compromise Warranty

100,000-Hour LED lifespan

## Ordering Matrix

Family	Length	UL Listing		Wattage	Color Temp	Finish	Driver Options	Options
SHARK	4		-	50		W	/D10	
	4 = 4 ft 8 = 8 ft 2 = 2 ft	<b>Blank</b> = Standard <b>M</b> = Marine Listed		<b>18</b> = 18W (2 ft) <b>25</b> = 25W (2 ft) <b>36</b> = 36W (4 ft) <b>50</b> = 50W (4 ft) <b>70</b> = 70W (8 ft) <b>100</b> = 100W (8 ft)	<b>N</b> = 4000K Neutral <b>YN</b> = 3500K Warm Neutral <b>Blank</b> = 5000K Cool	<b>W</b> = White	<b>/D10</b> = 0-10V Dimming, 120-277V <b>/480/D10</b> = 0-10V Dimming, 480V	<b>Blank</b> = No Option <b>/E2</b> = Battery Backup <b>/LC</b> = Lightcloud Controller, 120-277V <b>/LCS</b> = Lightcloud Sensor, 120-277V <b>/MVS</b> = Microwave Occupancy Sensor, 120-277V <b>/LC/E2</b> = Lightcloud Controller w/Battery Backup, 120-277V <b>/LCS/E2</b> = Lightcloud Sensor w/Battery Backup, 120-277V <b>/MVS/E2</b> = Microwave Occupancy Sensor w/Battery Backup, 120-277V