

<b>Project:</b>	<b>Type:</b>
<b>Prepared By:</b>	<b>Date:</b>

Driver Info		LED Info	
Type	Constant Current	Watts	50/40/30W
120V	N/A	Color Temp	3500/4000/5000K
208V	N/A	Color Accuracy	85-86 CRI
240V	N/A	L70 Lifespan	100,000 Hours
277V	N/A	Lumens	4,135-7,113 lm
Input Watts	30.1-51.6W	Efficacy	129.4-144 lm/W

## Technical Specifications

### Compliance

#### UL Listed:

Suitable for wet locations

#### UL 746C:

F1 weatherability rating for UV resistance, water exposure, and extreme temperature conditions.

#### NSF:

NSF Certified by Public Health and Safety

#### NEMA Rating:

NEMA 4X rating indicates an enclosure protects against windblown dust and rain, splashing and hose-directed water, and offers additional corrosion resistance.

#### IP Rating:

Ingress protection rating of IP66 for dust and water

### Electrical

#### Driver:

Constant Current, Class 2, 480V, 50/60 Hz:

30W: 0.08A

40W: 0.10A

50W: 0.11A

#### Dimming Driver:

Driver includes dimming control wiring for 0-10V dimming systems. Requires separate 0-10V DC dimming circuit. Dims down to 10%.

#### THD:

9.31% at 480V

#### Power Factor:

92.5% at 480V

#### Surge Protection:

2.5 kV

### Construction

#### Housing:

IK09 impact-resistant polycarbonate with 5VA flame rating\*

1/2" openings for conduit and bushing/cord entry  
 \*Polycarbonate is affected by cleaning agents or other liquids containing partial solvents such as low molecular weight aldehydes and ethers, ketones, esters, aromatic hydrocarbons and perchlorinated hydrocarbons. [Click here for a detailed list of damaging chemicals.](#)

#### Lens:

Diffuse polycarbonate lens for low glare and maximum protection

#### Maximum Ambient Temperature:

Suitable for use in up to 104°F (40°C)

#### Cold Weather Starting:

The minimum starting temperature is -40°F (-40°C)

#### Green Technology:

Mercury and UV free. RoHS-compliant components.

#### Finish:

Formulated for high durability and long-lasting color

### Installation

#### Mounting:

Quick-mount, surface, stainless steel spring clips supplied. 4 additional mounting accessory kits available.

### LED Characteristics

#### LEDs:

Long-life, high-efficacy, surface-mount LEDs

#### Color Stability:

LED color temperature is warranted to Shift no more than 200K in color temperature over a 5-year period

## Technical Specifications (continued)

### Color Uniformity:

RAB's range of Correlated Color Temperature follows the guidelines of the American National Standard for Specifications for the Chromaticity of Solid State Lighting (SSL) Products, ANSI C78.377-2017.

### Performance

#### Lifespan:

100,000-Hour LED lifespan based on IESlm-80 results and TM-21 calculations

### Sensor Settings

#### Operating Voltage:

12V DC

#### Operating Current:

≤25mA

#### Detection Area:

25%/50%/75%/100%

#### Maximum Mounting Height:

20 ft

#### Customizable Detection Area:

10, 50, 75 or 100%

#### Hold Time:

5s, 30s, 1min, 3min, 5min, 10min, 20min, 30min

#### Cut-Off Period:

0s/10s/30s/1min/5min/10min/30min/+∞

#### Cut-Off Dimming Level:

10,20,30,50%

#### Cut-Off Power:

≤0.5W

#### Daylight Threshold:

2Lux/10Lux/30Lux/50Lux/80Lux/120Lux/Disable

#### Sensor Principle:

High Frequency

#### Microwave Frequency:

5.8GHz +/- 75MHz

#### Microwave Power:

<0.3mW

#### Max Detection Range:

46 ft

#### Operating Temperature:

-4°F to + 140°F (-20°C to +60°C)

### Remote Control:

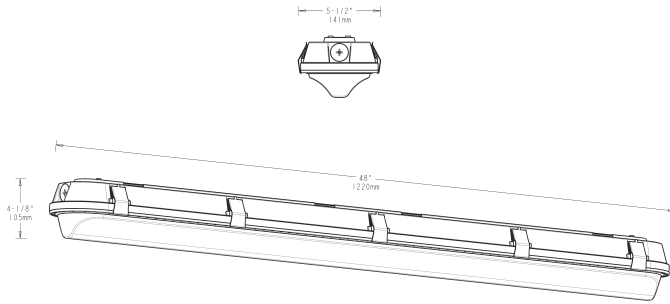
Adjust settings using remote control (catalog# MSR1). Only available with 0-10V dimming driver options. [Remote control available here.](#)

### Other

#### 5-Year, No-Compromise Warranty:

RAB warrants that our LED products will be free from defects in materials and workmanship for a period of five (5) years from the date of delivery to the end user, including coverage of light output, color stability, driver performance and fixture finish. RAB's warranty is subject to all terms and conditions found at [rablighting.com/warranty](http://rablighting.com/warranty).

## Dimensions



## Features

- Impact-resistant linear washdown
- Ideal for tunnels and stairwells
- Mounting options: Chain, junction box, angled surface mount or vandal-resistant surface mount
- IP66 Rating protects against dust & water ingress
- 5-Year, No-Compromise Warranty
- 100,000-Hour LED lifespan

## Ordering Matrix

Family	Size/Wattage	Mounting	Color Temp	Finish	Driver	Options
SHARK	4				/480	/MVS
	<b>2M</b> = 2ft (25/20/15W) Marine Listed <b>4</b> = 4ft (50/40/30W) <b>4M</b> = 4ft (50/40/30W) Marine Listed <b>8</b> = 8ft (100/80/60W) <b>8M</b> = 8ft (100/80/60W) Marine Listed <b>2</b> = 2ft (25/20/15W)	<b>Blank</b> = Metal Bracket with hooks	<b>Blank</b> = 3500/4000/5000K CCT Adjustable	<b>Blank</b> = White	<b>/480</b> = 480V, 0-10V Dimming <b>Blank</b> = 120-277V, 0-10V Dimming	<b>Blank</b> = No Option <b>/E</b> = Battery Backup <b>/LC</b> = Lightcloud <b>/MVS</b> = Microwave Occupancy Sensor <b>/PIR</b> = Passive Infrared Occupancy Sensor <b>/LCBS</b> = Lightcloud Blue w/PIR Sensor <b>/LCBS/MVS</b> = Lightcloud Blue w/MVS Sensor <b>/MVS/E</b> = Microwave Occupancy Sensor w/Battery Backup <b>/PIR/E</b> = Passive Infrared Occupancy Sensor w/Battery Back Up <b>/LCBS/E</b> = Lightcloud Blue w/PIR Sensor & Battery Backup <b>/LCBS/MVS/E</b> = Lightcloud Blue w/MVS Sensor & Battery Backup