

| | |
|---------------------|--------------|
| Project: | Type: |
| Prepared By: | Date: |

| Driver Info | | LED Info | |
|-------------|------------------|----------------|---------------|
| Type | Constant Current | Watts | 36W |
| 120V | 0.31A | Color Temp | 5000K (Cool) |
| 208V | 0.18A | Color Accuracy | 86 CRI |
| 240V | 0.15A | L70 Lifespan | 100,000 Hours |
| 277V | 0.14A | Lumens | 5,079 lm |
| Input Watts | 35.5W | Efficacy | 143.1 lm/W |

The four-foot SHARK is available in 36W and 50W versions. This impact-resistant linear LED washdown fixture is ideal for tunnels, stairwells and other hard-to-reach areas where relamping is difficult and costly. 0-10V dimming models available.

Color: White

Weight: 12.2 lbs

Technical Specifications

Lightcloud

Lightcloud Controller Installed:

Fixture, Zone, and plug-load control from one powerful device. Capable of switching, 0-10V dimming, power monitoring. Can also be used to extend the range of the Lightcloud mesh network. Attach to fixture, junction box, or electrical panel. [Learn more about Lightcloud.](#)

Compliance

UL Listed:

Suitable for wet locations

UL 94:

5VA flame classification

NSF:

NSF Certified by Public Health and Safety

IP Rating:

Ingress protection rating of IP66 for dust and water

NEMA Rating:

4X, protected against corrosion

DLC Listed:

This product is on the Design Lights Consortium (DLC) Qualified Products List and is eligible for rebates from DLC Member Utilities. DLC Product Code: PXP5OAU0
DLC Product Code: P9799A9G

Construction

Length:

4 ft

Reflector:

Specular polycarbonate

Housing:

IK09 impact-resistant polycarbonate with 5VA flame rating*
1/2" openings for conduit and bushing/cord entry
*Polycarbonate is affected by cleaning agents or other liquids containing partial solvents such as low molecular weight aldehydes and ethers, ketones, esters, aromatic hydrocarbons and perchlorinated hydrocarbons. [Click here for a detailed list of damaging chemicals.](#)

Mounting:

Quick-mount, surface, stainless steel spring clips and V-Hook with bracket screws are supplied. 3 additional mounting accessory kits available.

Lens:

Textured, diffuse polycarbonate lens for low glare and maximum protection

Gaskets:

EVA

Cold Weather Starting:

The minimum starting temperature is -30°C (-22°F)

Maximum Ambient Temperature:

Suitable for use in up to 40°C (104°F)

Finish:

Formulated for high durability and long-lasting color

LED Characteristics

LEDs:

Long-life, high-efficacy, surface-mount LEDs

Color Uniformity:

RAB's range of Correlated Color Temperature follows the guidelines of the American National Standard for Specifications for the Chromaticity of Solid State Lighting (SSL) Products, ANSI C78.377-2017.

Technical Specifications (continued)

Electrical

Driver:

Constant Current, Class 2, 120-277V, 50/60 Hz, 120V:
0.31A, 208V: 0.18A, 240V: 0.15A, 277V: 0.14A

THD:

3.57% at 120V, 4.15% at 277V

Power Factor:

99.9% at 120V, 97.7% at 277V

Surge Protection:

4kV

Battery Backup:

Battery backup will operate the LED Lamp for 90 minutes if power fails. Rated 0°C to 55°C. Battery is a maintenance free NiCad with 7-10 year life. Wired for 120V-277V and requires two circuits - one switched and one unswitched.

Battery Backup Light Loss Factor:

0.625

Performance

Lifespan:

100,000-Hour LED lifespan based on IES LM-80 results and TM-21 calculations

Other

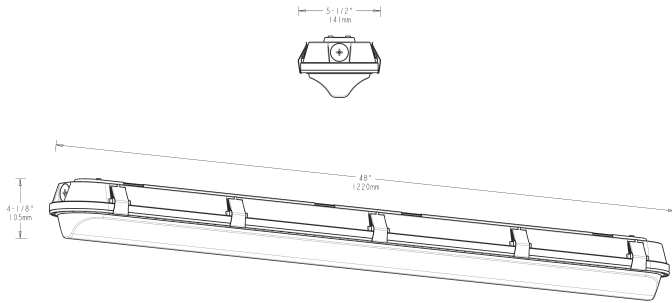
Warranty:

RAB warrants that our LED products will be free from defects in materials and workmanship for a period of five (5) years from the date of delivery to the end user, including coverage of light output, color stability, driver performance and fixture finish. RAB's warranty is subject to all terms and conditions found at rablighting.com/warranty.

Buy American Act Compliance:

RAB values USA manufacturing! Upon request, RAB may be able to manufacture this product to be compliant with the Buy American Act (BAA). Please contact customer service to request a quote for the product to be made BAA compliant.

Dimensions



Features

- Impact-resistant linear washdown
- Ideal for tunnels and stairwells
- Mounting options: Chain, junction box, angled surface mount or vandal-resistant surface mount
- IP66 Rating protects against dust & water ingress
- 5-Year, No-Compromise Warranty and 10-Year, No-Compromise Lightcloud Warranty
- 100,000-Hour LED lifespan

Ordering Matrix

| Family | Length | UL Listing | Wattage | Color Temp | Finish | Driver Options | Options |
|--------|----------|-------------------|-------------------|-------------------------|-----------|--------------------------------|--|
| SHARK | 4 | | 36 | | W | /D10 | /LC/E2 |
| | 2 = 2 ft | Blank = Standard | 18 = 18W (2 ft) | Blank = 5000K Cool | W = White | /D10 = 0-10V Dimming, 120-277V | Blank = No Option |
| | 4 = 4 ft | M = Marine Listed | 25 = 25W (2 ft) | N = 4000K Neutral | | /480/D10 = 0-10V Dimming, 480V | /E2 = Battery Backup |
| | 8 = 8 ft | | 36 = 36W (4 ft) | YN = 3500K Warm Neutral | | | /LC = Lightcloud® Controller, 120-277V |
| | | | 50 = 50W (4 ft) | | | | /LCS = Lightcloud® Sensor, 120-277V |
| | | | 70 = 70W (8 ft) | | | | /MVS = Microwave Occupancy Sensor, 120-277V |
| | | | 100 = 100W (8 ft) | | | | /LC/E2 = Lightcloud® Controller w/ Battery Backup, 120-277V |
| | | | | | | | /LCS/E2 = Lightcloud® Sensor w/ Battery Backup, 120-277V |
| | | | | | | | /MVS/E2 = Microwave Occupancy Sensor w/ Battery Backup, 120-277V |