



The four-foot SHARK is available in 36W and 50W versions. This impact-resistant linear LED washdown fixture is ideal for tunnels, stairwells and other hard-to-reach areas where relamping is difficult and costly. 0-10V dimming models available.

Color: White

Weight: 12.2 lbs

Project:	Type:
Prepared By:	Date:

Driver Info		LED Info	
Type	Constant Current	Watts	36W
120V	N/A	Color Temp	4000K (Neutral)
208V	N/A	Color Accuracy	85 CRI
240V	N/A	L70 Lifespan	100,000 Hours
277V	N/A	Lumens	5,128 lm
Input Watts	36.4W	Efficacy	140.9 lm/W

Technical Specifications

Compliance

UL Listed:

Suitable for wet locations

UL 94:

5VA flame classification

NSF:

NSF Certified by Public Health and Safety

IP Rating:

Ingress protection rating of IP66 for dust and water

NEMA Rating:

4X, protected against corrosion

DLC Listed:

This product is on the Design Lights Consortium (DLC) Qualified Products List and is eligible for rebates from DLC Member Utilities.

DLC Product Code: PGZQI9LM

DLC Product Code: PI3DNFB9

Electrical

Driver:

Constant Current, Class 1, 480V, 50/60 Hz, 480V: 0.09A

Dimming Driver:

Driver includes dimming control wiring for 0-10V dimming systems. Requires separate 0-10V DC dimming circuit. Dims down to 10%.

THD:

13.62% at 480V

Power Factor:

96% at 480V

Construction

Length:

4 ft

Reflector:

Specular polycarbonate

Housing:

IK09 impact-resistant polycarbonate with 5VA flame rating*

1/2" openings for conduit and bushing/cord entry
*Polycarbonate is affected by cleaning agents or other liquids containing partial solvents such as low molecular weight aldehydes and ethers, ketones, esters, aromatic hydrocarbons and perchlorinated hydrocarbons. [Click here for a detailed list of damaging chemicals.](#)

Mounting:

Quick-mount, surface, stainless steel spring clips and V-Hook with bracket screws are supplied. 3 additional mounting accessory kits available.

Lens:

Textured, diffuse polycarbonate lens for low glare and maximum protection

Gaskets:

EVA silicone foam

Cold Weather Starting:

The minimum starting temperature is -40°C (-40°F)

Maximum Ambient Temperature:

Suitable for use in up to 40°C (104°F)

Green Technology:

Mercury and UV free. RoHS-compliant components.

Finish:

Formulated for high durability and long-lasting color

LED Characteristics

LEDs:

Long-life, high-efficacy, surface-mount LEDs

Technical Specifications (continued)

Color Stability:

LED color temperature is warranted to shift no more than 200K in color temperature over a 5-year period

Color Uniformity:

RAB's range of Correlated Color Temperature follows the guidelines of the American National Standard for Specifications for the Chromaticity of Solid State Lighting (SSL) Products, ANSI C78.377-2017.

Performance

Lifespan:

100,000-Hour LED lifespan based on IES LM-80 results and TM-21 calculations

Other

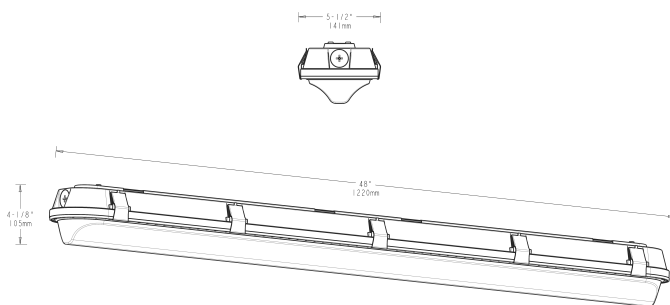
Warranty:

RAB warrants that our LED products will be free from defects in materials and workmanship for a period of five (5) years from the date of delivery to the end user, including coverage of light output, color stability, driver performance and fixture finish. RAB's warranty is subject to all terms and conditions found at rablighting.com/warranty.

Buy American Act Compliance:

RAB values USA manufacturing! Upon request, RAB may be able to manufacture this product to be compliant with the Buy American Act (BAA). Please contact customer service to request a quote for the product to be made BAA compliant.

Dimensions



Features

Impact-resistant linear washdown

Ideal for tunnels and stairwells

Mounting options: Chain, junction box, angled surface mount or vandal-resistant surface mount

IP66 Rating protects against dust & water ingress

5-Year, No-Compromise Warranty

100,000-Hour LED lifespan

Ordering Matrix

Family	Length	UL Listing		Wattage	Color Temp	Finish	Driver Options	Options
SHARK	4		-	36	N	W	/480/D10	
	2 = 2 ft 4 = 4 ft 8 = 8 ft	Blank = Standard M = Marine Listed		18 = 18W (2 ft) 25 = 25W (2 ft) 36 = 36W (4 ft) 50 = 50W (4 ft) 70 = 70W (8 ft) 100 = 100W (8 ft)	Blank = 5000K Cool N = 4000K Neutral YN = 3500K Warm Neutral	W = White	/D10 = 0-10V Dimming, 120-277V /480/D10 = 0-10V Dimming, 480V	Blank = No Option /E2 = Battery Backup /LC = Lightcloud® Controller, 120-277V /LCS = Lightcloud® Sensor, 120-277V /MVS = Microwave Occupancy Sensor, 120-277V /LC/E2 = Lightcloud® Controller w/ Battery Backup, 120-277V /LCS/E2 = Lightcloud® Sensor w/ Battery Backup, 120-277V /MVS/E2 = Microwave Occupancy Sensor w/ Battery Backup, 120-277V