

The two-foot SHARK is available in 18W and 25W versions. This impact-resistant linear LED washdown fixture is ideal for tunnels, stairwells and other hard-to-reach areas where relamping is difficult and costly. 0-10V dimming models available.

Color: White

Weight: 0.0 lbs

<b>Project:</b>	<b>Type:</b>
<b>Prepared By:</b>	<b>Date:</b>

Driver Info		LED Info	
Type	Constant Current	Watts	25/20/15W
120V	0.21A/0.17A/0.13A	Color Temp	3500K/4000K/5000K
208V	0.12A/0.10A/0.09A	Color Accuracy	83-85 CRI
240V	0.11A/0.09A/0.08A	L70 Lifespan	100,000 Hours
277V	0.10A/0.08A/0.07A	Lumens	2,270-3,683 lm
Input Watts	16-25.7W	Efficacy	137.6-148.2 lm/W

## Technical Specifications

### Compliance

#### UL Listed:

Marine Listed Outside Type (Saltwater)

### Electrical

#### Dimming Driver:

Driver includes dimming control wiring for 0-10V dimming systems. Requires separate 0-10V DC dimming circuit. Dims down to 10%.

#### THD:

2.15% at 120V, 3.37% 277V

#### Power Factor:

99.8% at 120V, 95.6% at 277V

#### Surge Protection:

2.5kV

### Construction

#### Housing:

IK09 impact-resistant polycarbonate with 5VA flame rating\*

1/2" openings for conduit and bushing/cord entry

\*Polycarbonate is affected by cleaning agents or other liquids containing partial solvents such as low molecular weight aldehydes and ethers, ketones, esters, aromatic hydrocarbons and perchlorinated hydrocarbons. [Click here for a detailed list of damaging chemicals.](#)

#### Mounting:

Quick-mount, surface, stainless steel spring clips supplied. 4 additional mounting accessory kits available.

#### Lens:

Diffuse polycarbonate lens for low glare and maximum protection

#### Maximum Ambient Temperature:

Suitable for use in up to 40°C (104°F)

#### Cold Weather Starting:

The minimum starting temperature is -40°C (-40°F)

#### Green Technology:

Mercury and UV free. RoHS-compliant components.

#### Finish:

Formulated for high durability and long-lasting color

### LED Characteristics

#### LEDs:

Long-life, high-efficacy, surface-mount LEDs

#### Color Stability:

LED color temperature is warrantied to shift no more than 200K in color temperature over a 5-year period

#### Color Uniformity:

RAB's range of Correlated Color Temperature follows the guidelines of the American National Standard for Specifications for the Chromaticity of Solid State Lighting (SSL) Products, ANSI C78.377-2017.

### Performance

#### Lifespan:

100,000-Hour LED lifespan based on IES LM-80 results and TM-21 calculations

### Sensor Specifications

#### Operating Voltage:

12V DC

#### Operating Current:

≤25mA

#### Detection Area:

25%/50%/75%/100%

#### Maximum Mounting Height:

20 ft

#### Customizable Detection Area:

10, 50, 75 or 100%

#### Hold Time:

5s, 30s, 1min, 3min, 5min, 10min, 20min, 30min

**Technical Specifications (continued)****Cut-Off Period:**

0s/10s/30s/1min/5min/10min/30min/+∞

**Cut-Off Dimming Level:**

10,20,30,50%

**Cut-Off Power:**

≤0.5W

**Daylight Threshold:**

2Lux/10Lux/30Lux/50Lux/80Lux/120Lux/Disable

**Sensor Principle:**

High Frequency

**Microwave Frequency:**

5.8GHz +/- 75MHz

**Microwave Power:**

<0.3mW

**Max Detection Range:**

46 ft

**Operating Temperature:**

-20°C to +60°C (-4°F to + 140°F)

**Remote Control:**

Adjust settings using remote control (catalog# MSR1). Only available with 0-10V dimming driver options. [Remote control available here.](#)

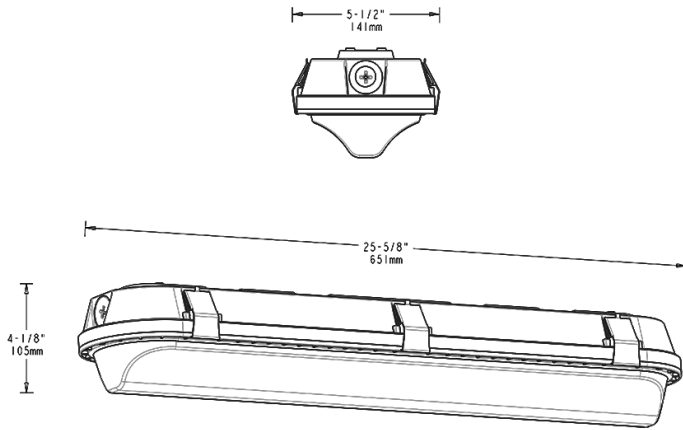
**Other****Warranty:**

RAB warrants that our LED products will be free from defects in materials and workmanship for a period of five (5) years from the date of delivery to the end user, including coverage of light output, color stability, driver performance and fixture finish. RAB's warranty is subject to all terms and conditions found at [rablighting.com/warranty](http://rablighting.com/warranty).

**Buy American Act Compliance:**

RAB values USA manufacturing! Upon request, RAB may be able to manufacture this product to be compliant with the Buy American Act (BAA). Please contact customer service to request a quote for the product to be made BAA compliant.

## Dimensions



## Features

- UL Marine Listed
- Impact-resistant linear washdown
- Ideal for tunnels and stairwells
- Mounting options: Chain, junction box, angled surface mount or vandal-resistant surface mount
- IP66 Rating protects against dust & water ingress
- 5-Year, No-Compromise Warranty
- 100,000-Hour LED lifespan

## Ordering Matrix

Family	Size/Wattages	Mounting	Color Temp	Finish	Voltage	Options
SHARK	2M					/MVS
	<b>2</b> = 2ft (25/20/15W) <b>2M</b> = 2ft (25/20/15W) Marine Listed <b>4</b> = 4ft (50/40/30W) <b>4M</b> = 4ft (50/40/30W) Marine Listed <b>8</b> = 8ft (100/80/60W) <b>8M</b> = 8ft (100/80/60W) Marine Listed	<b>Blank</b> = Metal Bracket with hooks	<b>Blank</b> = 3500/4000/5000K	<b>Blank</b> = White	<b>Blank</b> = 120-277V, 0-10V Dimming	<b>Blank</b> = No Option <b>/E</b> = Battery Backup <b>/LC</b> = Lightcloud® Blue Enabled <b>/MVS</b> = Microwave Occupancy Sensor <b>/PIR</b> = Passive Infrared Occupancy Sensor <b>/LCBS</b> = Lightcloud® Blue Enabled w/ PIR Sensor <b>/LCBS/MVS</b> = Lightcloud® Blue Enabled w/ MVS Sensor <b>/MVS/E</b> = Microwave Occupancy Sensor w/ Battery Backup <b>/PIR/E</b> = Passive Infrared Occupancy Sensor w/ Battery Backup <b>/LCBS/E</b> = Lightcloud® Blue Enabled w/ PIR Sensor & Battery Backup <b>/LCBS/MVS/E</b> = Lightcloud® Blue Enabled w/ MVS Sensor & Battery Backup