

INSTRUCTIONS

SHARK® MARINE GRADE INSTALLATION

RAB®

RAB Lighting is committed to creating high-quality, affordable, well-designed and energy-efficient LED lighting and controls that make it easy for electricians to install and end users to save energy. We'd love to hear your comments. Please call the Marketing Department at 888-RAB-1000 or email: marketing@rablighting.com



SHARKM - 2FT



SHARKM - 4FT

IMPORTANT

READ CAREFULLY BEFORE INSTALLING FIXTURE. RETAIN THESE INSTRUCTIONS FOR FUTURE REFERENCE.

RAB fixtures must be wired in accordance with the National Electrical Code and all applicable local codes. Proper grounding is required for safety. THIS PRODUCT MUST BE INSTALLED IN ACCORDANCE WITH THE APPLICABLE INSTALLATION CODE BY A PERSON FAMILIAR WITH THE CONSTRUCTION AND OPERATION OF THE PRODUCT AND THE HAZARDS INVOLVED.

WARNING: Make certain power is OFF before installing or maintaining fixture. No user serviceable parts inside.

CAUTION: For proper weatherproof function all gaskets must be seated properly and all screws inserted and tightened firmly. Apply weatherproof silicone sealant around the edge of the ceiling mounting box and/or junction box. This is especially important with an uneven ceiling surface. Silicone all plugs and unused conduit entries.

SURFACE MOUNTING

The fixture is suitable for outdoor applications in wet locations either ceiling or wall mounted.

1. Use appropriate mounting hardware (*not supplied*) to secure the **Surface Mounting Brackets (2)** to **Mounting Surface**. Recommended **Surface Mounting Brackets** distance center to center is 14.5/8" (*for SHARK2*) and 37" (*for SHARK4*).
NOTE: Mount **Surface Mounting Brackets (2)** symmetrical about the center of the fixture and aligned with each other.
2. Unlatch the **Lens and Tray Assembly** from **Housing**. Pre-installed **Tether Cables (2)** will prevent **Lens and Tray Assembly** from falling down as shown in Fig. 1.
3. Feed supply wires through one of the **Conduit Plugs (3)** to make electrical splices. Cord-grips (2) are provided and can be used based on the application.
4. Use appropriate UL approved wire connectors as required by code to complete wiring with supply wires. Be careful not to pinch the wires.
WARNING: To prevent wiring damage or abrasion, do not expose wiring to edges of sharp objects.
5. Secure **Lens and Tray Assembly** to **Housing** by clamping **Latch** down. Be careful not to pinch the wires. Check that the Gasket is fully seated.
6. Push **Housing** into **Surface Mounting Brackets (2)** as shown in Fig. 2. Ensure that the **Housing** is secure to **Surface Mounting Brackets (2)**.
7. Use silicone or Teflon tape on all **Conduit Plugs** and on the threads of all conduit entry points. If outdoor surface is irregular, use caulk to seal any gaps around **Housing**.

Fig: 1

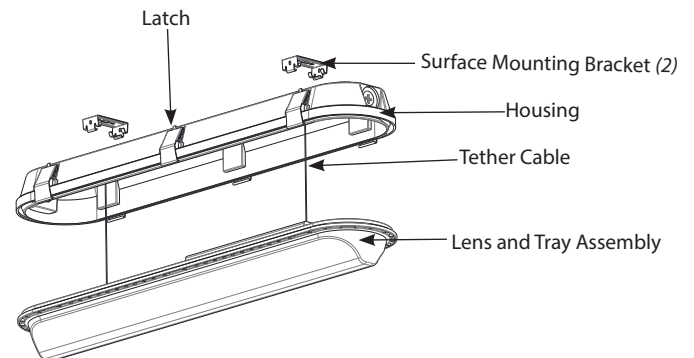
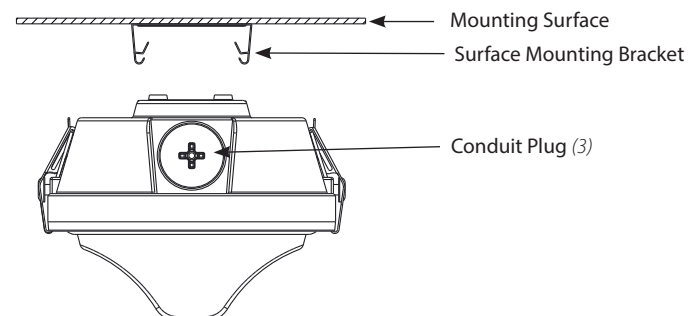


Fig: 2



INSTRUCTIONS

SHARK® MARINE GRADE INSTALLATION



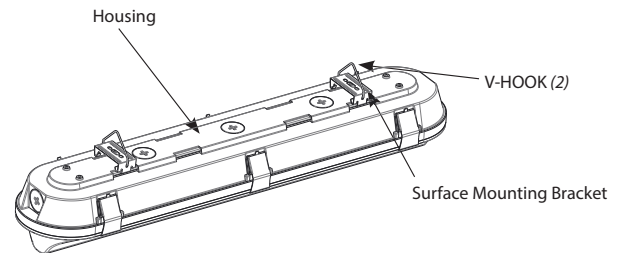
RAB Lighting is committed to creating high-quality, affordable, well-designed and energy-efficient LED lighting and controls that make it easy for electricians to install and end users to save energy. We'd love to hear your comments. Please call the Marketing Department at 888-RAB-1000 or email: marketing@rablighting.com

V-HOOK MOUNTING

(V-Hook for Chain Mounting *included*)

1. Secure **Surface Mounting Brackets (2)** to **Housing** as shown in Fig. 3. **WARNING: Surface Mounting Brackets** must be mounted to **Housing**.
2. Loop **V-Hook (2 included)** on **Surface Mounting Bracket (2)** as shown in Fig. 3.
3. To suspend **Housing**, connect each **V-Hook** to two (2) equal lengths of chain (*not supplied*) and/or appropriate hardware (*by others*) suitable for mounting surface. Chains must be suitable to support four (4) times the weight of the fixture.

Fig: 3

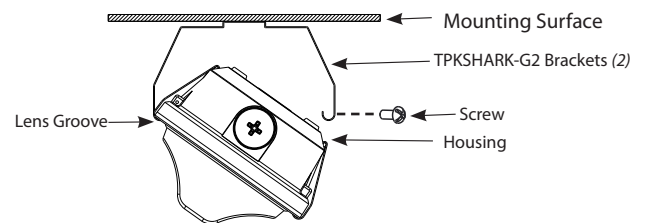


TAMPERPROOF MOUNTING

Tamper Proof Bracket Accessory (TPKSHARK-G2 *ordered separately*)

1. Use appropriate mounting hardware (*not supplied*) to secure the **TPKSHARK-G2 Bracket (2)** to **Mounting Surface**.
2. Recommended **TPKSHARK-G2 Bracket** distance center to center is 12 7/8" for SHARK 2ft and 36 13/16" for SHARK 4ft.
3. Push **Housing** into **TPKSHARK-G2 Bracket (2)** as shown in Fig. 4. and fasten onto **Lens Groove**.
4. Secure **Housing** onto **TPKSHARK-G2 Bracket** with provided **Screws (2 per Bracket)** using star head T25 Drive as shown in Fig. 4.

Fig: 4



JUNCTION BOX MOUNTING

Junction Box Bracket Accessory Fig. 5 (JBSHARK-G2 *ordered separately*)

1. Use appropriate mounting hardware (*not supplied*) to secure the **JBSHARK-G2 Bracket** to **Mounting Surface** or **Junction Box** (*supplied by others*). Check that the **Gasket** is fully seated. Use Cord Grip provided to feed supply wires into fixture.
2. Recommended **JBSHARK-G2 Bracket** distance center to center is 6 3/4" for SHARK 2ft and SHARK 4ft.
3. Use appropriate UL approved wire connectors as required by code to complete wiring with supply wires. Be careful not to pinch the wires.
4. Push **Housing** into **JBSHARK-G2 Bracket** to secure fixture to **Mounting Surface** as shown in Fig. 6.

Fig: 5

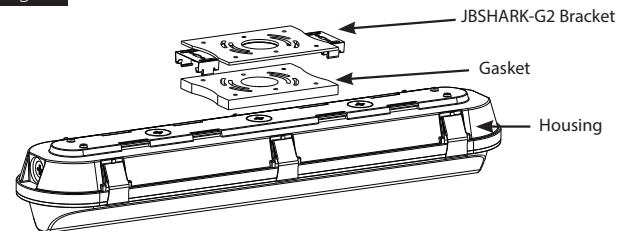
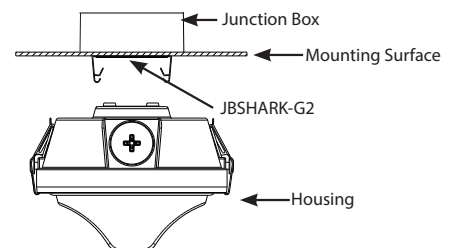


Fig: 6



INSTRUCTIONS

SHARK® MARINE GRADE INSTALLATION

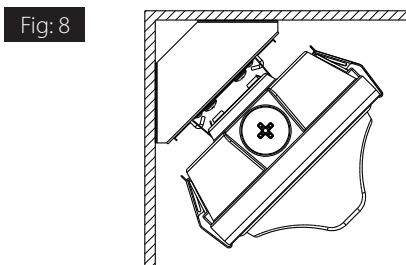
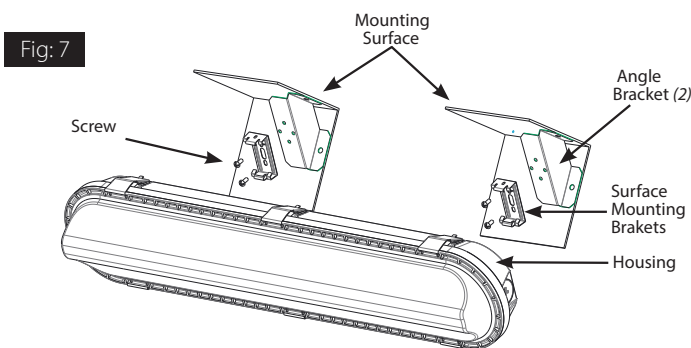


RAB Lighting is committed to creating high-quality, affordable, well-designed and energy-efficient LED lighting and controls that make it easy for electricians to install and end users to save energy. We'd love to hear your comments. Please call the Marketing Department at 888-RAB-1000 or email: marketing@rablighting.com

ANGLE SURFACE MOUNTING

Angle Surface Mounting Brackets Fig. 7 (ANGSHARK-G2 ordered separately)

1. Use appropriate mounting hardware (*not supplied*) to secure the **Angle Bracket** (ANGSHARK-G2) (2) to mounting surface as shown in Fig. 7.
2. Recommended **Angle Bracket** distance center to center is 12 7/8" for SHARK 2ft and 36 13/16" for SHARK 4ft.
3. Secure **Surface Mounting Brackets** (2) to **Angle Bracket** (2) with **Screws** provided.
4. Snap **Housing** on **Surface Mounting Brackets** (2) as shown in Fig. 8.



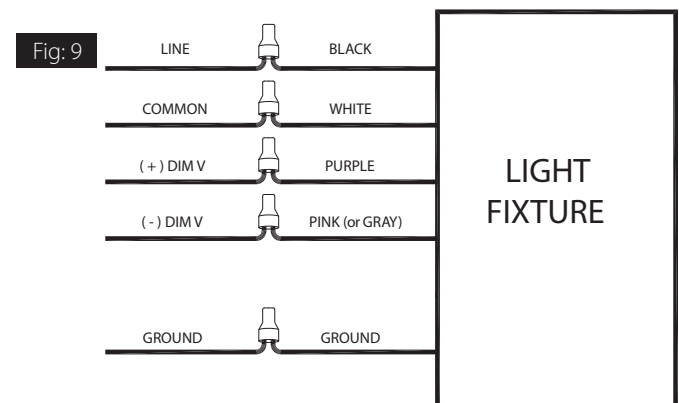
TROUBLESHOOTING

1. Check that the line voltage at the fixture is correct. Refer to wiring directions.
2. Is the fixture grounded properly?

0-10V DIMMABLE WIRING

Universal voltage driver permits operation at 120V thru 277V, 50 or 60 Hz. Units ordered with (/480V) suffix are 480V, 50Hz or 60Hz. For 0-10V Dimming, follow the wiring directions in Fig. 9.

1. Connect the black fixture lead to the **LINE** supply lead.
2. Connect the white fixture lead to the **COMMON** supply lead.
3. Connect the **GROUND** wire from fixture to supply ground. Do **NOT** connect the **GROUND** of the dimming fixture to the output.
4. Connect the purple fixture lead to the (V+) DIM lead.
5. Connect the pink (*or gray*) fixture lead to the (V-) DIM lead.
6. Cap the yellow fixture lead, if present. Do NOT connect.



CLEANING & MAINTENANCE

CAUTION: Be sure fixture temperature is cool enough to touch. Do not clean or maintain while fixture is energized.

1. Lens should be washed in a solution of warm water and any mild, non-abrasive household detergent, rinsed with clean water and wiped dry.
WARNING: Polycarbonate is affected by cleaning agents or other liquids containing partial solvents such as low molecular weight aldehydes and ethers, ketones, esters, aromatic hydrocarbons and perchlorinated hydrocarbons. In addition, chemical attack ranging from partial to complete destruction of polycarbonate occurs in contact with alkalines, alkali salts, amines and high zone concentrations. Please go to rablighting.com for a detailed list of damaging chemicals.
2. Do not open fixture to clean the LED. Do not touch the LED.

INSTRUCTIONS

SHARK® MARINE GRADE INSTALLATION



RAB Lighting is committed to creating high-quality, affordable, well-designed and energy-efficient LED lighting and controls that make it easy for electricians to install and end users to save energy. We'd love to hear your comments. Please call the Marketing Department at 888-RAB-1000 or email: marketing@rablighting.com

BATTERY BACKUP MODELS

WIRING

CAUTION: FOR BATTERY BACKUP FIXTURE. Voltage could be present in **BATTERY**. To prevent high voltage from being present on output leads, inverter connector must be open. Do not join **BATTERY** connector until installation is complete and AC power is supplied to the emergency driver (Fig.10).

NOTE: Make sure that the necessary branch circuit wiring is available. An **UNSWITCHED** AC source of power is required. The emergency driver must be fed from the same branch circuit as the LED driver.

CAUTION: Do not use any supply voltage other than 120-277V 50/60 HZ.

1. Connect **UNSWITCHED HOT** fixture lead to **HOT** AC supply line.
2. If using an **UNSWITCHED** circuit, connect **UNSWITCHED** and **SWITCHED** lines together.
3. If using a **SWITCHED** circuit, connect **SWITCHED HOT** AC fixture lead to the external **SWITCHED**.
4. Connect the **NEUTRAL** fixture lead to the **NEUTRAL** supply line.
5. For 0-10V Dimming, connect **DIM (+)** and **DIM (-)** to the supply **DIM (+)** and **DIM (-)**.
6. Connect **GROUND** lead from the fixture to the supply ground. Do not connect **GROUND** to the output leads.
7. All unused lead must be capped and insulated.
8. After installation is complete, supply AC power to the fixture and connect the **BATTERY**.
9. When power is on, the fixture should be on and the Charging Indicator Light should illuminate to indicate the battery is charging.
10. Once the **BATTERY** has charged for at least one hour, a short duration test may be performed by pressing the test button.
11. After the battery has charged for 24 hours, a long duration test can be performed by shutting power to the fixture.

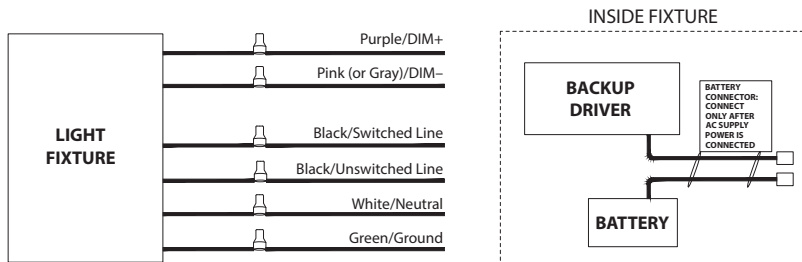


Fig: 10

OPERATION

1. When AC power is applied, the charging indicator light is illuminated, indicating that the **BATTERY** is being charged.
2. When power fails, the standby power automatically switches to emergency power (internal battery), operating at reduced illumination. Not all LED boards will illuminate with standby power. The emergency driver supplies 25W of power in standby power for a minimum of 90 minutes.
3. When AC power is restored, the emergency driver automatically returns to charging mode.

MAINTENANCE

Although no routine maintenance is required to keep the emergency driver functional, it should be checked periodically to ensure that it is working. The following schedule is recommended:

1. Visually inspect the charging indicator light monthly. It should be illuminated.
2. Test the emergency operation of the fixture at 30-day intervals for a minimum of 30 seconds.
3. Conduct a 90-minute discharge test once a year. Fixture would operate at reduced illumination for a minimum of 90 minutes.

TROUBLESHOOTING

1. Is the fixture grounded properly?
2. If the charging indicator light does not illuminate after pressing the test button, check if battery is connected properly.

Note: These instructions do not cover all details or variations in equipment nor do they provide for every possible situation during installation, operation or maintenance.



Easy Answers

© 2022 RAB LIGHTING Inc.

rablighting.com
Visit our website for product info

Tech Help Line
Call our experts: 888 722-1000

e-mail
Answered promptly - sales@rablighting.com

Free Lighting Layouts
Answered online or by request

SHARKM 2ft 4ft IN 1221

73675-RAB

RAB WARRANTY: RAB's warranty is subject to all terms and conditions found at rablighting.com/warranty.