

The two-foot SHARK is available in 18W and 25W versions. This impact-resistant linear LED washdown fixture is ideal for tunnels, stairwells and other hard-to-reach areas where relamping is difficult and costly. 0-10V dimming models available. Includes built in support for Lightcloud, a wireless lighting control system and service, fully developed by RAB.

Color: White

Weight: 7.1 lbs

Project:	Type:
Prepared By:	Date:

Driver Info		LED Info	
Type	Constant Current	Watts	25W
120V	0.20A	Color Temp	3500K (Warm Neutral)
208V	0.12A	Color Accuracy	84 CRI
240V	0.11A	L70 Lifespan	100,000 Hours
277V	0.10A	Lumens	2,877 lm
Input Watts	23.6W	Efficacy	121.9 lm/W

Technical Specifications

Lightcloud

Lightcloud Sensor Installed:

Occupancy, vacancy, and closed loop daylight harvesting in one versatile sensor. In addition control any fixture in your Lightcloud integrated/embedded networked lighting luminaire-level control system. LLLC - capable of switching, 0-10V dimming, power/energy monitoring. Can also be used to extend the range of the Lightcloud mesh network communication protocols.
DLC system - N1XMLOEATBA
[Learn more about Lightcloud.](#)

Compliance

UL Listed:

Suitable for wet locations

UL 94:

5VA flame classification

NSF:

NSF Certified by Public Health and Safety

IP Rating:

Ingress protection rating of IP66 for dust and water

NEMA Rating:

4X, protected against corrosion

IESNA LM-79 & LM-80 Testing:

RAB LED luminaires and LED components have been tested by an independent laboratory in accordance with IESNA LM-79 and LM-80.

DLC Listed:

This product is on the Design Lights Consortium (DLC) Qualified Products List and is eligible for rebates from DLC Member Utilities.

DLC Product Code: P4TIF3T4

DLC Product Code: P82AX231

Construction

Length:

2 ft

Reflector:

Specular polycarbonate

Housing:

IK09 impact-resistant polycarbonate with 5VA flame rating*

1/2" openings for conduit and bushing/cord entry
*Polycarbonate is affected by cleaning agents or other liquids containing partial solvents such as low molecular weight aldehydes and ethers, ketones, esters, aromatic hydrocarbons and perchlorinated hydrocarbons. [Click here for a detailed list of damaging chemicals.](#)

Mounting:

Quick-mount, surface, stainless steel spring clips and V-Hook with bracket screws are supplied. 3 additional mounting accessory kits available.

Lens:

Textured, diffuse polycarbonate lens for low glare and maximum protection

Gaskets:

EVA

Cold Weather Starting:

The minimum starting temperature is -30°C (-22°F)

Maximum Ambient Temperature:

Suitable for use in up to 40°C (104°F)

Finish:

Formulated for high durability and long-lasting color

LED Characteristics

LEDs:

Long-life, high-efficacy, surface-mount LEDs

Color Uniformity:

RAB's range of Correlated Color Temperature follows the guidelines of the American National Standard for Specifications for the Chromaticity of Solid State Lighting (SSL) Products, ANSI C78.377-2017.

Technical Specifications (continued)

Electrical

Driver:

Constant Current, Class 2, 120-277V, 50/60 Hz, 120V:
0.20A, 208V: 0.12A, 240V: 0.11A, 277V: 0.10A

THD:

7.49% at 120V, 13.71% at 277V

Power Factor:

99.4% at 120V, 90.5% at 277V

Surge Protection:

4kV

Performance

Lifespan:

100,000-Hour LED lifespan based on IES LM-80
results and TM-21 calculations

Other

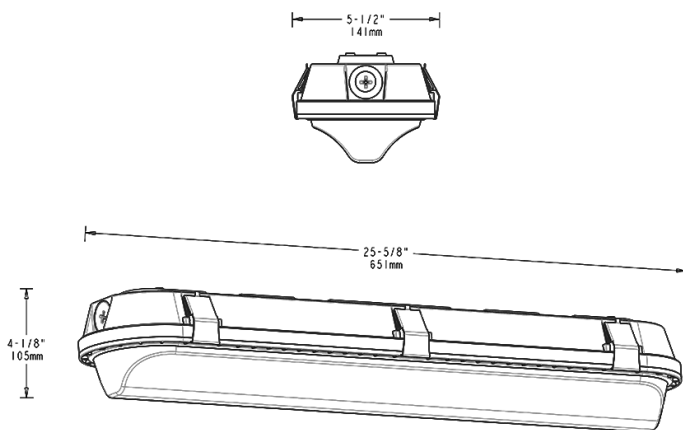
Warranty:

RAB warrants that our LED products will be free from defects in materials and workmanship for a period of five (5) years from the date of delivery to the end user, including coverage of light output, color stability, driver performance and fixture finish. RAB's warranty is subject to all terms and conditions found at rablighting.com/warranty.

Buy American Act Compliance:

RAB values USA manufacturing! Upon request, RAB may be able to manufacture this product to be compliant with the Buy American Act (BAA). Please contact customer service to request a quote for the product to be made BAA compliant.

Dimensions



Features

Impact-resistant linear washdown

Ideal for tunnels and stairwells

Mounting options: Chain, junction box, angled surface mount or vandal-resistant surface mount

IP66 Rating protects against dust & water ingress

5-Year, No-Compromise Warranty and 10-Year, No-Compromise Lightcloud Warranty

100,000-Hour LED lifespan

Ordering Matrix

Family	Length	UL Listing		Wattage	Color Temp	Finish	Driver Options	Options
SHARK	2		-	25	YN	W	/D10	/LCS
	4 = 4 ft 8 = 8 ft 2 = 2 ft	Blank = Standard M = Marine Listed		18 = 18W (2 ft) 25 = 25W (2 ft) 36 = 36W (4 ft) 50 = 50W (4 ft) 70 = 70W (8 ft) 100 = 100W (8 ft)	N = 4000K Neutral YN = 3500K Warm Neutral Blank = 5000K Cool	W = White	/D10 = 0-10V Dimming, 120-277V /480/D10 = 0-10V Dimming, 480V	Blank = No Option /E2 = Battery Backup /LC = Lightcloud Controller, 120-277V /LCS = Lightcloud Sensor, 120-277V /MVS = Microwave Occupancy Sensor, 120-277V /LC/E2 = Lightcloud Controller w/Battery Backup, 120-277V /LCS/E2 = Lightcloud Sensor w/Battery Backup, 120-277V /MVS/E2 = Microwave Occupancy Sensor w/Battery Backup, 120-277V