

INSTRUCTIONS

SFX17 SLIPFITTER KIT INSTALLATION

RAB®

RAB Lighting is committed to creating high-quality, affordable, well-designed and energy-efficient LED lighting and controls that make it easy for electricians to install and end users to save energy. We'd love to hear your comments. Please call the Marketing Department at 888-RAB-1000 or email: marketing@rablighting.com



SFX17 105/140/205/330/450

IMPORTANT

READ CAREFULLY BEFORE INSTALLING FIXTURE. RETAIN THESE INSTRUCTIONS FOR FUTURE REFERENCE.

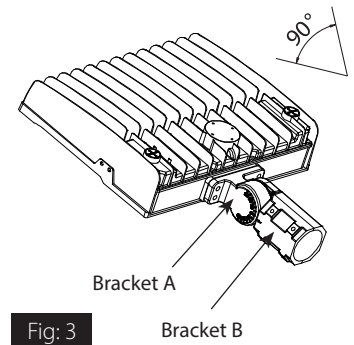
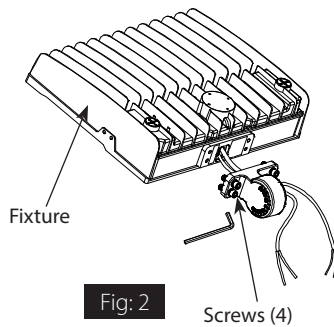
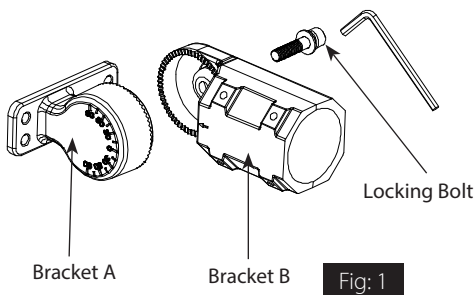
RAB fixtures must be wired in accordance with the National Electrical Code and all applicable local codes. Proper grounding is required for safety. THIS PRODUCT MUST BE INSTALLED IN ACCORDANCE WITH THE APPLICABLE INSTALLATION CODE BY A PERSON FAMILIAR WITH THE CONSTRUCTION AND OPERATION OF THE PRODUCT AND THE HAZARDS INVOLVED.

WARNING: Make certain power is OFF before installing or maintaining fixture.

INSTALLATION

Notice: Adjustment may be made +/-90°.

1. Separate **Bracket A** from **Bracket B** by removing **Locking Bolt** as shown in Fig. 1 using an M8 Allen Wrench.
2. Feed **Fixture** wires through the **Bracket A** and secure onto Fixture with (4) **Screws** (*provided*) as shown in **Fig. 2** using an M6 Allen Wrench.
3. Continue wire feed through **Bracket B**. Secure **Bracket B** with **Locking Bolt** to **Bracket A** as shown in **Fig. 3**.
4. Wire the **Fixture** leads to supply wires using UL listed wire connectors according to NEC and local codes. Be careful not to pinch wires. **WARNING: To prevent wiring damage or abrasion, do not expose wiring to edges of sheet metal or other sharp objects.**
5. To adjust **Fixture** angle, loosen **Locking Bolt** and set **Fixture** to desired angle.
6. Tighten the **Locking Bolt** to set angle.



Note: These instructions do not cover all details or variations in equipment nor do they provide for every possible situation during installation, operation or maintenance.

RAB®

© 2021 RAB LIGHTING Inc.
SFX17 105/140/205/330/450
Slipfitter Kit
P-100078

Easy Answers

rablighting.com
Visit our website for product info

Tech Help Line
Call our experts: 888 722-1000

e-mail
Answered promptly - sales@rablighting.com

Free Lighting Layouts
Answered online or by request