



Weight: 0.2 lbs

Project:	Type:
Prepared By:	Date:

Technical Specifications

Performance

Product Type:

Wireless Sensor

Description:

This Wireless Occupancy Sensor is a passive infrared motion detector used to switch lights on/off or dim. Compatible with all Lightcloud Blue-enabled lamps and luminaires and easy to configure using the Lightcloud Blue mobile app. Choose between occupancy/vacancy, adjust sensitivity levels, timeouts, and actions all from the mobile app.

Lightcloud

Lightcloud Blue:

Lightcloud Blue is a Bluetooth mesh wireless lighting control system that allows you to control RAB's various compatible devices. With RAB's patent-pending Rapid Provisioning technology, devices can be quickly and easily commissioned for residential and large commercial applications using the Lightcloud Blue mobile app. Each device in a system can communicate with any other device, eliminating the need for a Gateway or Hub and maximizing the control system's reach.

DLC system - N1XMLOEATBA

[Learn more at www.lightcloud.com](http://www.lightcloud.com)

Gateway Required:

No

Communication Protocol:

Bluetooth Mesh

Range:

Up to 60 feet between standard building materials. Building materials such as brick, concrete, and steel construction may require additional Lightcloud Blue devices to extend around an obstruction. Up to 200 feet clear line of sight.

Spacing Criteria:

Lightcloud Blue devices should be placed within the specified range to communicate within the Bluetooth Mesh network.

Factory Reset:

Method 1: Delete from App

Open the app and access the device settings for the paired device. Be sure that the sensor is awake and select 'Delete'.

Method 2: Manual Press and hold the reset button on the back of the sensor near the battery compartment for 5 seconds or until the indicator light on the front of the sensor flashes blue.

Electrical

Battery Type:

Lithium CR2 (included in package)

Battery Lifespan:

3-years

Operating Temperature:

14°F to 122°F (-10°C to 50°C)

Detection Angle:

120° to 150°

Max Mounting Height:

8 ft to 12 ft

Detection Range:

20 ft diameter mounted at 9 ft

Sensor Settings

Sensor Type:

Passive Infrared (PIR)

Default Setting:

Uncommissioned State:
 Motion Sensitivity: High
 Brightness when triggered : 100%
 Hold time: 1 minute
 Standby to dim: 20%
 Standby time: 1 minute
 When vacant: Off

Commissioned State:

Motion Sensitivity: High
 Brightness when triggered: Last on status
 Hold time: 20 minutes
 When vacant: Off

Sensing Type:

Occupancy or Vacancy

Technical Specifications (continued)

Occupied Actions:

On or On at a Dim Level

Vacant Options:

Off or On at a Dim Level

Occupancy Timeout:

1 minute to 240 minutes

Daylight Sensing:

The sensor will determine to trigger the light(s) on or not based on the daylight threshold level set in the Lightcloud Blue mobile app.

Daylight Threshold:

150 lux to 1500 lux

Installation

Mounting:

(3) mounting screws and base adhesive included in package.

Construction

Shape:

Cube

Finish:

White

Compliance

Environment:

Suitable for use in dry and damp indoor environments

California Energy Commission (CEC) Status:

Lawful for Sales in California

RoHS:

Mercury and UV free. RoHS-compliant components.

FCC:

Complies with Part 15B of the FCC Rules

Other

Compatible Products:

Any Lightcloud Blue-enabled lamp or luminaire

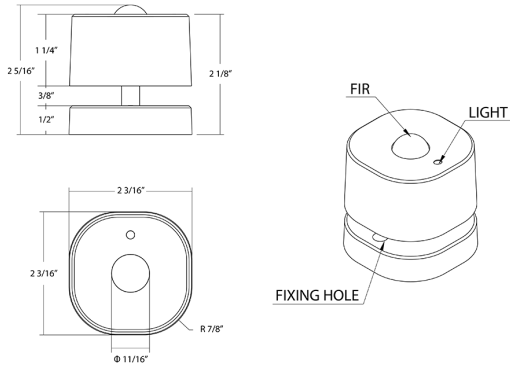
Warranty:

RAB warrants that our LED products will be free from defects in materials and workmanship for a period of three (3) years from the date of delivery to the end user, including coverage of light output, color stability, driver performance and fixture finish. RAB's warranty is subject to all terms and conditions found at rablighting.com/warranty.

Buy American Act Compliance:

RAB values USA manufacturing! Upon request, RAB may be able to manufacture this product to be compliant with the Buy American Act (BAA). Please contact customer service to request a quote for the product to be made BAA compliant.

Dimensions



Features

- Completely wireless occupancy sensor
- Easily mount to a wall, ceiling or place it on a shelf
- Adjustable base to expand the detection area
- Passive infrared technology and daylight sensing
- Battery operated, 3-year lifespan

Ordering Matrix

Family	Technology	Finish	Control
SENSE	/PIR	/W	/LCB

/PIR = Passive Infrared /W = White /LCB = Lightcloud® Blue Enabled