



Color: Gray

Weight: 6.5 lbs

**Project:**

**Type:**

**Prepared By:**

**Date:**

### Driver Info

Type	Constant Current
120V	0.46A
208V	0.26A
240V	0.23A
277V	0.20A
Input Watts	50/40/30W

### LED Info

Watts	50W
Color Temp	3500K/4000K/5000K
Color Accuracy	80 CRI
L70 Lifespan	100,000 Hours
Lumens	4080-6800 lm
Efficacy	130-142 lm/W

## Technical Specifications

### Compliance

#### UL Listed:

Suitable for wet locations

#### UL 94:

5VA flame classification

#### FCC:

Complies with Part 15B of the FCC Rules

#### NSF:

NSF Certified by Public Health and Safety

#### NEMA Rating:

4X, protected against corrosion

#### IP Rating:

Ingress protection rating of IP65 for dust and water

#### DLC Listed:

This product is listed by Design Lights Consortium (DLC) as an ultra-efficient premium product that qualifies for the highest tier of rebates from DLC Member Utilities. Designed to meet DLC 5.1 requirements.

DLC Product Code: S-5HVM30

### Electrical

#### Driver:

Constant Current, Class 2, 120-277V, 50/60Hz, 120V: 0.46A, 208V: 0.26A, 240V: 0.23A, 277V 0.20A

#### Dimming Driver:

Driver includes dimming control wiring for 0-10V dimming systems. Requires separate 0-10V DC dimming circuit. Dims down to 10%.

#### THD:

3.53% at 120V, 4.35% at 277V

#### Power Factor:

99.9% at 120V, 96.98% at 277V

#### Surge Protection:

2.5kV

### LED Characteristics

#### LEDs:

Long-life, high-efficiency, surface-mount LEDs

#### Color Uniformity:

RAB's range of Correlated Color Temperature follows the guidelines of the American National Standard for Specifications for the Chromaticity of Solid State Lighting (SSL) Products, ANSI C78.377-2017.

### Performance

#### Lifespan:

100,000-Hour LED lifespan based on IES LM-80 results and TM-21 calculations

#### Wattage Equivalency:

Equivalent to (3) F32T8

### Construction

#### Housing:

Impact-resistant polycarbonate\* with stainless steel door clips. 1/2" NPS opening for conduit and bushing/cord entry. \*Polycarbonate is affected by cleaning agents or other liquids containing partial solvents such as low molecular weight aldehydes and ethers, ketones, esters, aromatic hydrocarbons and perchlorinated hydrocarbons. [Click here for a detailed list of damaging chemicals.](#)

#### Mounting:

Quick-mount, stainless steel snap on brackets supplied for surface mounting. V-Hook brackets supplied standard for suspending the fixture.

#### Lens:

Diffuse polycarbonate lens for low glare and maximum protection

#### Reflector:

Cold-rolled steel

#### Gaskets:

High-temperature silicone gaskets

#### Cold Weather Starting:

The minimum starting temperature is -40°C (-40°F)

**Technical Specifications (continued)****Maximum Ambient Temperature:**

Suitable for use in up to 40°C (104°F)

**Installation:**

Tether Cables are provided for easy installation. Quick connector may be used for quick and easy wiring.

**Green Technology:**

Mercury and UV free. RoHS-compliant components.

**Finish:**

Formulated for high durability and long-lasting color

**Lightcloud****Lightcloud Blue Sensor Installed:**

Occupancy, vacancy, and closed loop daylight harvesting in one versatile sensor. In addition control any fixture in your Lightcloud Blue integrated/embedded networked lighting luminaire-level control system. LLLC - capable of switching, 0-10V dimming, power/energy monitoring. Can also be used to extend the range of the Lightcloud Blue utilizing a "BLE Mesh" network communication protocols. The Lightcloud Blue sensor can be attached to the fixture provided an unobstructed view of the coverage area is available.

DLC system - N1XMLOEATBA

[Learn more about Lightcloud.](#)

**Sensor Specifications****Maximum Mounting Height:**

19.68ft. (6m)

**Operating Voltage:**

DC Input: 10.5-15V

**Dimming Control:**

ON/OFF 0-10V Dimmable

**Operating Temperature:**

-20°C to 70°C (-4°F to 158°F)

**IP Rating:**

Ingress protection rating of IP65 for dust and water

**Brightness:**

Factory Setting: 100%

**Sensitivity Setting:**

25%/50%/75%/100%

(Factory Setting: 50%)

**Standby Period:**

0s/10s/30s/1min/5min/10min/30min/60min/+∞  
(Factory Setting: 1 min)

**Daylight:**

2Lux/10Lux/30Lux/50Lux/80Lux/120Lux/Disabled  
(Factory Setting: disabled)

**Hold Time:**

5s/30s/1min/3min/5min/10min/20min/30min  
(Factory Setting: 1 min)

**Standby Dimming:**

10%/20%/30%/50%  
(Factory Setting: 20%)

**Detection Angle:**

30° to 150° without glass cover

**Detection Distance:**

Radius 9.95-22.96ft (3-7m)

**Remote Control Accessory:**

Adjust settings using remote control (catalog# MSR1). Only available with 0-10V dimming driver options. [Remote control available here.](#)

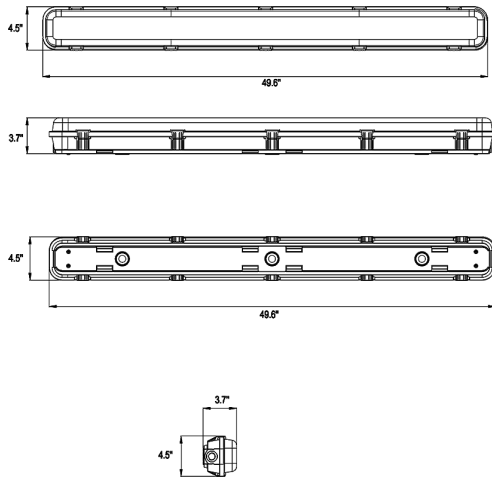
**Other****5 Yr Limited Warranty:**

The RAB 5-year, limited warranty covers light output, driver performance and paint finish. RAB's warranty is subject to all terms and conditions found at [rablighting.com/warranty](http://rablighting.com/warranty).

**Buy American Act Compliance:**

RAB values USA manufacturing! Upon request, RAB may be able to manufacture this product to be compliant with the Buy American Act (BAA). Please contact customer service to request a quote for the product to be made BAA compliant.

## Dimensions



## Features

- 100,000-Hour LED lifespan
- DLC Premium Listed
- 0-10V dimming, standard
- 5-Year, limited warranty

## Ordering Matrix

Family	Length/Wattage	Color Temp	Finish	Voltage	Options
SEAL	4				/LCBS/MVS
	2 = 2 ft 25/20/15W 4 = 4 ft 50/40/30W 8 = 8 ft 100/80/60W	Blank = 3500K/4000K/5000K CCT Adjustable	Blank = Gray	Blank = 0-10V Dimming, 120-277V	Blank = No Option /PIR = Passive Infrared Sensor /MVS = Microwave Occupancy Sensor /E = Battery Backup /LCBS = Lightcloud® Blue Enabled w/ PIR Sensor /LCBS/MVS = Lightcloud® Blue Enabled w/ MVS Sensor /MVS/E = Microwave Occupancy Sensor w/ Battery Backup /PIR/E = Passive Infrared Sensor w/ Battery Backup /LCBS/E = Lightcloud® Blue Sensor w/ Battery Backup /LCBS/MVS/E = Lightcloud® Blue Microwave Occupancy Sensor w/ Battery Backup