

INSTRUCTIONS

SEAL® 4FT / 8FT INSTALLATION



RAB Lighting is committed to creating high-quality, affordable, well-designed and energy-efficient LED lighting and controls that make it easy for electricians to install and end users to save energy. We'd love to hear your comments. Please call the Marketing Department at 888-RAB-1000 or email: marketing@rablighting.com



SEAL - 4FT



SEAL - 8FT

IMPORTANT

READ CAREFULLY BEFORE INSTALLING FIXTURE. RETAIN THESE INSTRUCTIONS FOR FUTURE REFERENCE.

RAB fixtures must be wired in accordance with the National Electrical Code and all applicable local codes. Proper grounding is required for safety. THIS PRODUCT MUST BE INSTALLED IN ACCORDANCE WITH THE APPLICABLE INSTALLATION CODE BY A PERSON FAMILIAR WITH THE CONSTRUCTION AND OPERATION OF THE PRODUCT AND THE HAZARDS INVOLVED.

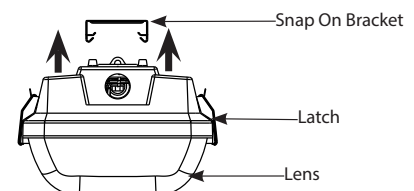
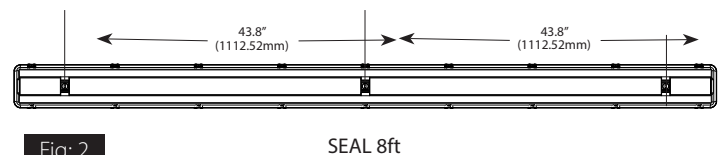
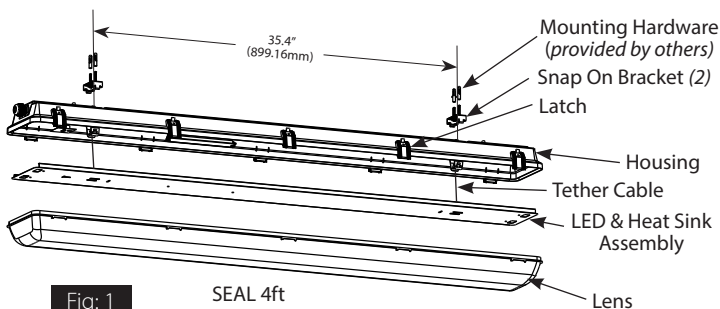
WARNING: Make certain power is OFF before installing or maintaining fixture. No user serviceable parts inside.

CAUTION: For proper weatherproof function all gaskets must be seated properly and all screws inserted and tightened firmly. Apply weatherproof silicone sealant around the edge of the ceiling mounting box and/or junction box. This is especially important with an uneven ceiling surface. Silicone all plugs and unused conduit entries.

SURFACE MOUNTING

The fixture is suitable for outdoor applications in wet locations either ceiling or wall mounted.

1. Use appropriate mounting hardware (*not supplied*) to secure the **Snap On Brackets** to mounting surface. Refer to recommended **Snap On Bracket** in Fig. 1 for **SEAL 4ft** and Fig. 2 for **SEAL 8ft**.
WARNING: Mount Snap On Brackets symmetrical about the center as shown in Fig. 1 and Fig. 2. Snap On Brackets must be aligned with each other to secure Housing.
2. Electrical splices can be easily made using 6ft cord attached to one end of **Housing** for **SEAL 8ft**. In order to use an alternate entry point for **SEAL 8ft** and for **SEAL 4ft** follow below steps 3-8.
3. Unlatch the **Lens** from **Housing**.
4. Snap out the **LED and Heat Sink Assembly**. **Tether Cables** (*2 for SEAL 4ft and 3 for SEAL 8ft*) are provided, if required.
5. For an alternate conduit entry point, drill knockout (*2 locations on SEAL 4ft and 3 locations on SEAL 8ft*) on the back of **Housing** or side conduit entry knockout (*2 locations on SEAL 4ft & SEAL 8ft*). Unused knocked out hole should be sealed using the white silicone plug (*provided one piece in hardware polybag*).
6. Feed supply power cord through cord-grip to make electrical splices.
7. Use appropriate UL approved wire connectors as required by code to complete wiring with supply wires. Be careful not to pinch wires. Quick connector is provided for easy installation, if required.
WARNING: To prevent wiring damage or abrasion, do not expose wiring to edges of sharp objects.
8. Snap in **LED and Heat Sink Assembly** and secure **Lens** to **Housing** by **Latch**. Be careful not to pinch wires. Check that gasket is fully sealed.
9. Snap **Housing** on **Snap On Brackets** as shown in Fig. 3.
10. Use silicone or Teflon tape on all conduit entry points.



INSTRUCTIONS

SEAL® 4FT / 8FT INSTALLATION

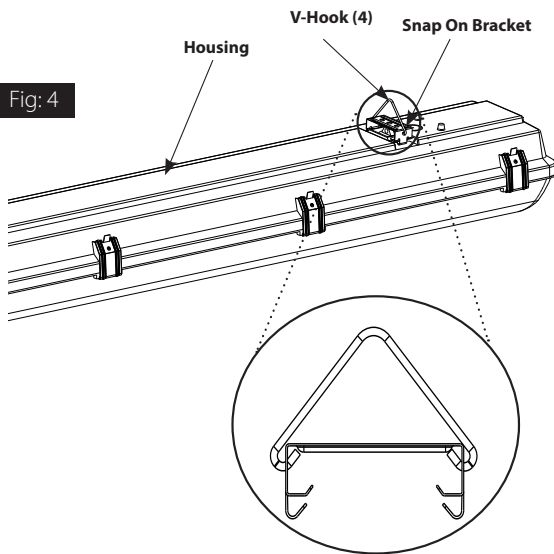
RAB®

RAB Lighting is committed to creating high-quality, affordable, well-designed and energy-efficient LED lighting and controls that make it easy for electricians to install and end users to save energy. We'd love to hear your comments. Please call the Marketing Department at 888-RAB-1000 or email: marketing@rablighting.com

V-HOOK MOUNTING

Suspend Housing to sturdy ceiling structure as follows:

1. Snap **Housing** on **Snap On Brackets** as shown in Fig. 3.
2. Electrical splices can be easily made using 6ft cord attached to one end of **Housing** for **SEAL 8ft**. In order to use an alternate entry point for **SEAL 8ft** and for **SEAL 4ft** follow steps 3-8 under **Surface Mounting** section.
3. **V-Hooks** (2 pc on **SEAL 4ft** and 3 pc on **SEAL 8ft**) are provided for chain mounting. Loop **V-Hooks** through **Snap On Bracket** at back of **Housing** as shown in Fig. 4.
4. Connect to two (for **SEAL 4ft**) or three (for **SEAL 8ft**) equal lengths of chain (by others) and/or appropriate hardware (by others) suitable for mounting surface to suspend **Housing** from **V-Hooks**.
5. Fixture mounting height and spacing should be determined by application requirements. Use chain suitable to support four (4) times the weight of the fixture.
6. Use silicone or Teflon tape on all conduit entry points.

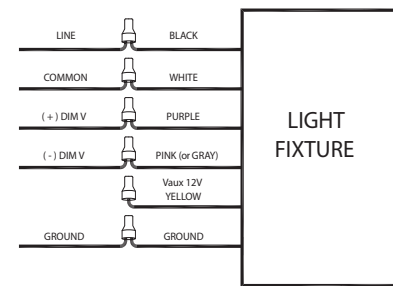


0-10V DIMMABLE WIRING

Universal voltage driver permits operation at 120V thru 277V, 50 or 60 Hz. For 0-10V Dimming follow the wiring directions as shown in Fig. 5.

1. Connect the black fixture lead to the **LINE** supply lead.
2. Connect the white fixture lead to the **COMMON** supply lead.
3. Connect the **GROUND** wire from fixture to supply ground.
4. Connect the purple fixture lead to the (V+) DIM lead.
5. Connect the pink (or gray) fixture lead to the (V-) DIM lead.
6. Cap the yellow fixture lead, if present. Do NOT connect.

NOTE: Do not connect DIM V+ (purple)/ DIM V- (gray) to line voltage or supply ground.



CLEANING & MAINTENANCE

CAUTION: Be sure fixture temperature is cool enough to touch. Do not clean or maintain while fixture is energized.

1. Lens should be washed in a solution of warm water and any mild, non-abrasive household detergent, rinsed with clean water and wiped dry.

WARNING: Polycarbonate is affected by cleaning agents or other liquids containing partial solvents such as low molecular weight aldehydes and ethers, ketones, esters, aromatic hydrocarbons and perchlorinated hydrocarbons. In addition, chemical attack ranging from partial to complete destruction of polycarbonate occurs in contact with alkalines, alkali salts, amines and high zone concentrations. Please go to rabweb.com for a detailed list of damaging chemicals.

2. Do not open fixture to clean the LED. Do not touch the LED.

Note: These instructions do not cover all details or variations in equipment nor do they provide for every possible situation during installation, operation or maintenance.

TROUBLESHOOTING

1. Check that the line voltage at the fixture is correct. Refer to wiring directions.
2. Be sure the fixture is grounded properly.

RAB®

© 2022 RAB LIGHTING Inc.
SEAL 4ft/8ft - IN - 1221
73526-RAB

Easy Answers

rablighting.com
Visit our website for product info
RAB WARRANTY: RAB's warranty is subject to all terms and conditions found at rablighting.com/warranty.

Tech Help Line
Call our experts: 888 722-1000

e-mail
Answered promptly - sales@rablighting.com

Free Lighting Layouts
Answered online or by request