



Color: Gray

Weight: 4.0 lbs

Project:

Type:

Prepared By:

Date:

Driver Info

Type	Constant Current
120V	0.23A
208V	0.13A
240V	0.12A
277V	0.10A
Input Watts	25/20/15W

LED Info

Watts	25W
Color Temp	3500K/4000K/5000K
Color Accuracy	80 CRI
L70 Lifespan	100,000 Hours
Lumens	2040-3400 lm
Efficacy	130-142 lm/W

Technical Specifications

Compliance

UL Listed:

Suitable for wet locations

UL 94:

5VA flame classification

FCC:

Complies with Part 15B of the FCC Rules

NSF:

NSF Certified by Public Health and Safety

NEMA Rating:

4X, protected against corrosion

IP Rating:

Ingress protection rating of IP65 for dust and water

DLC Listed:

This product is listed by Design Lights Consortium (DLC) as an ultra-efficient premium product that qualifies for the highest tier of rebates from DLC Member Utilities. Designed to meet DLC 5.1 requirements.

DLC Product Code: S-2WR1TU

Electrical

Driver:

Constant Current, Class 2, 120-277V, 50/60Hz, 120V: 0.23A, 208V:0.13A, 240V: 0.12A, 277V 0.10A

Dimming Driver:

Driver includes dimming control wiring for 0-10V dimming systems. Requires separate 0-10V DC dimming circuit. Dims down to 10%.

THD:

3.55% at 120V, 4.59% at 277V

Power Factor:

99.9% at 120V, 97.74% at 277V

Surge Protection:

2.5kV

LED Characteristics

LEDs:

Long-life, high-efficacy, surface-mount LEDs

Color Uniformity:

RAB's range of Correlated Color Temperature follows the guidelines of the American National Standard for Specifications for the Chromaticity of Solid State Lighting (SSL) Products, ANSI C78.377-2017.

Performance

Lifespan:

100,000-Hour LED lifespan based on IES LM-80 results and TM-21 calculations

Wattage Equivalency:

Equivalent to (2) F32T8 or (3) F17T8

Construction

IK Rating:

IK08 Protected against 5 joules of impact. Equivalent to the impact of a 3.75 lbs. (1.7kg) mass dropped from 11.8" (300mm) above the impacted surface.

Housing:

Impact-resistant polycarbonate* with stainless steel door clips. 1/2" NPS opening for conduit and bushing/cord entry. *Polycarbonate is affected by cleaning agents or other liquids containing partial solvents such as low molecular weight aldehydes and ethers, ketones, esters, aromatic hydrocarbons and perchlorinated hydrocarbons. [Click here for a detailed list of damaging chemicals.](#)

Mounting:

Quick-mount, stainless steel snap on brackets supplied for surface mounting. V-Hook brackets supplied standard for suspending the fixture.

Lens:

Diffuse polycarbonate lens for low glare and maximum protection

Reflector:

Cold-rolled steel

Gaskets:

High-temperature silicone gaskets

Technical Specifications (continued)**Cold Weather Starting:**

The minimum starting temperature is -40°C (-40°F)

Ambient Temperature :

Max Power Temp Rating: 40°C (104°F)
Middle Power Temp Rating: 48°C (117°F)
Low Power Temp Rating: 51°C (123°F)

Installation:

Tether Cables are provided for easy installation.
Quick connector may be used for quick and easy wiring.

Green Technology:

Mercury and UV free. RoHS-compliant components.

Finish:

Formulated for high durability and long-lasting color

Sensor Specifications**Maximum Mounting Height:**

19.68ft. (6m)

Operating Voltage:

DC Input: 10.5-15V >50mA

Dimming Control:

ON/OFF 0-10V Dimmable

Operating Temperature:

-20°C to 70°C (-4°F to 158°F)

IP Rating:

Ingress protection rating of IP65 for dust and water

Brightness:

Factory Setting: 100%

Sensitivity Setting:

25%/50%/75%/100%
(Factory Setting: 50%)

Standby Period:

0s/10s/30s/1min/5min/10min/30min/60min/+∞
(Factory Setting: 1min)

Daylight:

2Lux/10Lux/30Lux/50Lux/80Lux/120Lux/Disabled
(Factory Setting: disabled)

Hold Time:

5s/30s/1min/3min/5min/10min/20min/30min
(Factory Setting: 1min)

Standby Dimming:

10%/20%/30%/50%
(Factory Setting: 20%)

Detection Angle:

<120° Fresnel lens

Detection Distance:

Radius 9.84-19.68ft. (3-6m)

Remote Control Accessory:

Adjust settings using remote control (catalog# MSR1). Only available with 0-10V dimming driver options. [Remote control available here.](#)

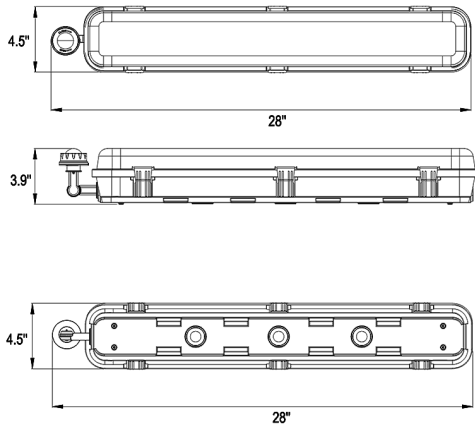
Other**5 Yr Limited Warranty:**

The RAB 5-year, limited warranty covers light output, driver performance and paint finish. RAB's warranty is subject to all terms and conditions found at rablighting.com/warranty.

Buy American Act Compliance:

RAB values USA manufacturing! Upon request, RAB may be able to manufacture this product to be compliant with the Buy American Act (BAA). Please contact customer service to request a quote for the product to be made BAA compliant.

Dimensions



Features

- 100,000-Hour LED lifespan
- DLC Premium Listed
- 0-10V dimming, standard
- 5-Year, limited warranty

Ordering Matrix

Family	Length/Wattage	Color Temp	Finish	Voltage	Options
SEAL	2				/PIR
	2 = 2 ft 25/20/15W 4 = 4 ft 50/40/30W 8 = 8 ft 100/80/60W	Blank = 3500K/4000K/5000K CCT Adjustable	Blank = Gray	Blank = 0-10V Dimming, 120-277V	Blank = No Option /PIR = Passive Infrared Sensor /MVS = Microwave Occupancy Sensor /E = Battery Backup /LCBS = Lightcloud® Blue Enabled w/ PIR Sensor /LCBS/MVS = Lightcloud® Blue Enabled w/ MVS Sensor /MVS/E = Microwave Occupancy Sensor w/ Battery Backup /PIR/E = Passive Infrared Sensor w/ Battery Backup /LCBS/E = Lightcloud® Blue Sensor w/ Battery Backup /LCBS/MVS/E = Lightcloud® Blue Microwave Occupancy Sensor w/ Battery Backup