



Color: Bronze

Weight: 3.0 lbs

Project:	Type:
Prepared By:	Date:

Driver Info		LED Info	
Type	Constant Current	Watts	8W
120V	0.07A	Color Temp	3000K
208V	0.04A	Color Accuracy	85 CRI
240V	0.04A	L70 Lifespan	100,000 Hours
277V	0.04A	Lumens	5-307 lm
Input Watts	8.3W	Efficacy	40.1

Technical Specifications

Compliance

UL Listed:

Suitable for wet locations

IP Rating:

Ingress protection rating of IP65 for dust and water

IESNA LM-79 & LM-80 Testing:

RAB LED luminaires and LED components have been tested by an independent laboratory in accordance with IESNA LM-79 and LM-80.

LED Characteristics

LEDs:

Long-life, high-efficacy, discrete, surface-mount LEDs

Color Consistency:

7-step MacAdam Ellipse binning to achieve consistent fixture-to-fixture color

Color Uniformity:

RAB's range of Correlated Color Temperature follows the guidelines of the American National Standard for (SSL) Products, ANSI C78.377-2017.

Electrical

Driver:

Constant Current, Class 2, 120-277V, 50/60 Hz, 120V: 0.07A, 208V: 0.04A, 240V: 0.04A, 277V: 0.04A

THD:

8.6% at 120V, 16.4% at 277V

Power Factor:

99.1% at 120V, 92.7% at 277V

Dim to Off:

No

Aux Power Supply:

No

Construction

Cold Weather Starting:

The minimum starting temperature is -40°C (-40°F)

Maximum Ambient Temperature:

Suitable for use in up to 45°C (113°F)

Housing:

Die-cast aluminum

Lens:

Polycarbonate lens

Gaskets:

High-temperature silicone

Finish:

Formulated for high durability and long-lasting color

Green Technology:

Mercury and UV free. RoHS-compliant components.

Installation

Mounting:

Octangular J-Box or bracket for the wall-mount (J-Box not provided)

Other

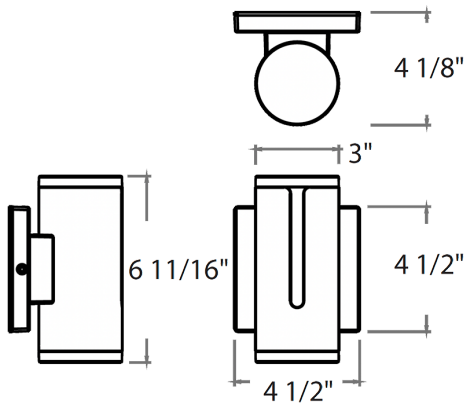
5 Yr Limited Warranty:

The RAB 5-year, limited warranty covers light output, driver performance and paint finish. RAB's warranty is subject to all terms and conditions found at rablighting.com/warranty.

Buy American Act Compliance:

RAB values USA manufacturing! Upon request, RAB may be able to manufacture this product to be compliant with the Buy American Act (BAA). Please contact customer service to request a quote for the product to be made BAA compliant.

Dimensions



Features

- IP65 rated
- 100,000-Hour LED lifespan
- 5-Year Limited Warranty

Ordering Matrix

Family	Shape	Type	Color Temp	Finish	Voltage	Options
SA	SL	WP				
	SL = SLOT	B = Bollard WP = Wall Sconce	Blank = 3000K Blank = 2200-4000K Tunable White ¹	Blank = Matte Bronze	Blank = 120-277V	Blank = No Option /RGB = 16+ million colors

¹ Applies to RGB models only