

INSTRUCTIONS

SAGE™ SLOT INSTALLATION

RAB®

RAB Lighting is committed to creating high-quality, affordable, well-designed and energy-efficient LED lighting and controls that make it easy for electricians to install and end users to save energy. We'd love to hear your comments. Please call the Marketing Department at 888-RAB-1000 or email: marketing@rablighting.com



Wall Pack



Bollard

IMPORTANT

READ CAREFULLY BEFORE INSTALLING FIXTURE. RETAIN THESE INSTRUCTIONS FOR FUTURE REFERENCE.

RAB fixtures must be wired in accordance with the National Electrical Code and all applicable local codes. Proper grounding is required for safety. THIS PRODUCT MUST BE INSTALLED IN ACCORDANCE WITH THE APPLICABLE INSTALLATION CODE BY A PERSON FAMILIAR WITH THE CONSTRUCTION AND OPERATION OF THE PRODUCT AND THE HAZARDS INVOLVED.

WARNING: Make certain power is OFF before installing or maintaining fixture. No user serviceable parts inside.

CAUTION: For proper weatherproof function all gaskets must be seated properly and all screws inserted and tightened firmly. Apply weatherproof silicone sealant around the edge of the mounting surface and/or Junction Box. This is especially important with an uneven surface.

Suitable for Wet locations.

WALL MOUNT

1. Loosen (2) **Fixing Screws** on the Fixture (Fig 1, 2).
2. Attach the **Mounting Plate** and **Gasket** to **Junction Box** (by others) with provided **Screws**.
3. Connect the Fixture to the power supply per wiring diagram, Fig. 7. Make electrical connections as shown in wiring diagram. Use approved wiring connectors and wire to local NEC codes.
4. Position Fixture onto **Mounting Plate**, use caution not to pinch wires. Secure with **Fixing Screws**.

FIG. 1

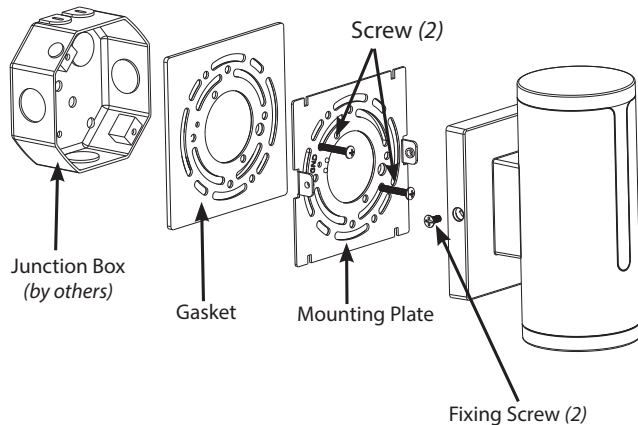
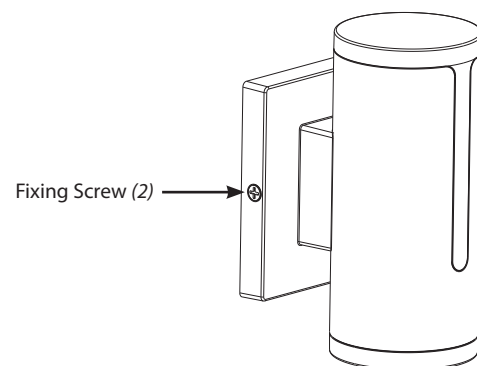


FIG. 2



INSTRUCTIONS

SAGE™ SLOT INSTALLATION



RAB Lighting is committed to creating high-quality, affordable, well-designed and energy-efficient LED lighting and controls that make it easy for electricians to install and end users to save energy. We'd love to hear your comments. Please call the Marketing Department at 888-RAB-1000 or email: marketing@rablighting.com

BOLLARD MOUNT

Caution: Before installation, ensure that the bollard base is properly aligned to achieve the desired orientation of the bollard fixture. Suitable for wet locations.

1. The **Bollard** must be installed on a firm, level surface.
2. **Anchor Bolts** may be used for new concrete installations (Fig. 3).
3. For all other applications, use **Anchors** appropriate for the mounting surface.
4. The **Mounting Base** must be above grade, with a minimum recommended height of 1-3/4 inches (Fig. 4).

FIG. 3

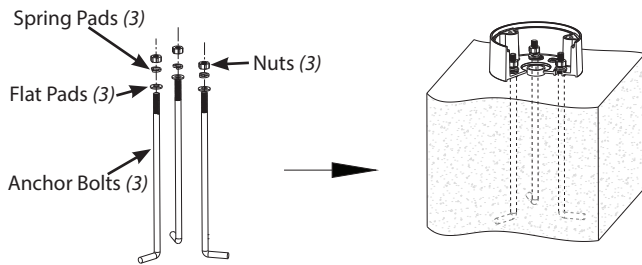
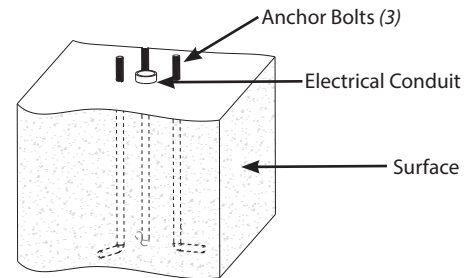


FIG. 4

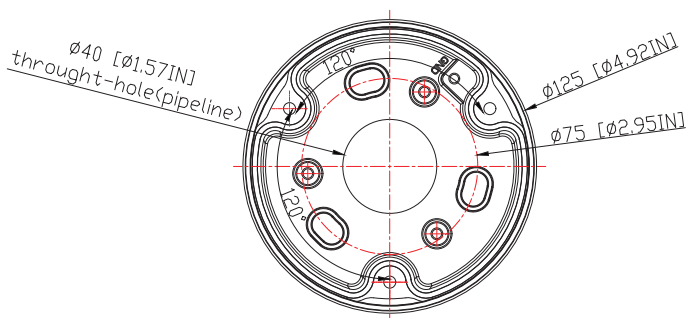


ANCHOR BOLT INSTALLATION

Caution: Install according to applicable codes.

Install **Anchor Bolts** in concrete foundation (*by others*) using the **Anchor Bolts** (Fig. 5) Bollard Base may also be used a template. Bolt threads should protrude from concrete 1-3/4 Inch (Fig. 4).

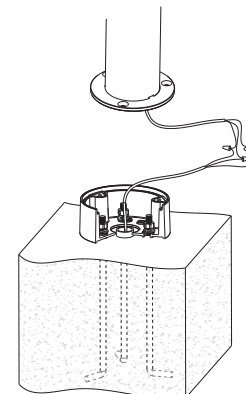
FIG. 5



BOLLARD BASE

1. Remove the (4) **Screws** at the bottom of the housing to separate the **Bollard Base** from the housing (Fig. 6).
2. If leveling is required, wedges or spacers (*by others*) may be used under the **Mounting Plate**.
3. Make electrical connections as shown in wiring diagram (Fig. 7). Use approved wiring connectors and wire to local NEC codes. Push all wires back into Housing.
4. Slide the housing onto the **Bollard Base** and secure it with the provided **Screws**. Use caution not to pinch wires.

FIG. 6



INSTRUCTIONS

SAGE™ SLOT INSTALLATION



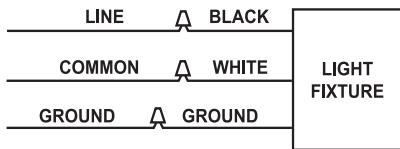
RAB Lighting is committed to creating high-quality, affordable, well-designed and energy-efficient LED lighting and controls that make it easy for electricians to install and end users to save energy. We'd love to hear your comments. Please call the Marketing Department at 888-RAB-1000 or email: marketing@rablighting.com

WIRING

Universal voltage driver permits operation at 120V through 277V, 50/60 Hz.

1. Connect the black fixture lead to the **LINE** supply lead.
2. Connect the white fixture lead to the **COMMON** supply lead.
3. Connect the **GROUND** wire from fixture to supply ground.

FIG. 7



CLEANING & MAINTENANCE

CAUTION: Be sure fixture temperature is cool enough to touch. Do not clean or maintain while fixture is energized.

1. Clean lens with non-abrasive cleaning solution.
2. Do not open the fixture to clean the LED. Do not touch the LED.

TROUBLESHOOTING

1. Check that the line voltage at the fixture is correct. Refer to wiring diagram.
2. Be sure the fixture is grounded properly.

Note: These instructions do not cover all details or variations in equipment nor do they provide for every possible situation during installation, operation or maintenance.

INSTRUCTIONS

SAGE™ SLOT INSTALLATION



RAB Lighting is committed to creating high-quality, affordable, well-designed and energy-efficient LED lighting and controls that make it easy for electricians to install and end users to save energy. We'd love to hear your comments. Please call the Marketing Department at 888-RAB-1000 or email: marketing@rablighting.com


LIGHTCLOUD® BLUE

Lightcloud Blue is a Bluetooth mesh wireless lighting control system that allows you to control various compatible devices. With RAB's patented Rapid Provisioning technology, devices can be quickly and easily commissioned for residential and large commercial applications using the Lightcloud Blue mobile app.

Each device in a system can communicate with any other device, eliminating the need for a Gateway or Hub and maximizing the control system's reach.

Lightcloud Blue devices should be placed within the specified range to communicate within the Bluetooth Mesh network. Up to 60 feet between standard building materials.

CONTROLLING LIGHTCLOUD® BLUE DEVICE

1. Confirm your device is powered on.
2. Download the Lightcloud Blue app from the Apple® App store or Google Play™ store.
3. Launch the App and create an account or login.
4. Tap the "add device" icon in the app to start connecting  devices.
5. Create Areas, Scenes and Schedules to organize and control your devices.
6. You're all set!

For additional information about the Lightcloud Blue mobile app visit www.lightcloud.com/item/lcb-getting-started/

ADJUSTING RGB COLORS

To access the RGB color wheel, select the chevron (>) to the right of the CCT slider bar and select RGB. Add up to 10 favorite colors per device or Area. Once a color has been defined, press the back button (<) in the top left.

RESET TO FACTORY SETTINGS

If your Lightcloud Blue fixture is already paired, you can reset it to factory settings by using the below methods.

Method 1: Delete from App

Open the app and access the device settings for the paired device. Be sure that the downlight is online (*green status bars are visible*) and select "Delete".

Method 2: Manual

Power the lamp off and on 5 times consecutively. Do not allow less than 1 second and more than 3 seconds to elapse between switching. The lamp will flash 3 times, then reset to 100% brightness at default CCT.



CONFIGURATION

To configure the Lightcloud Blue please login to the Lightcloud Blue app for details. For additional startup information, visit www.lightcloud.com/item/lcb-getting-started/



Easy Answers

rablighting.com
Visit our website for product info

Tech Help Line
Call our experts: 888 722-1000

e-mail
Answered promptly - tech@rablighting.com

Free Lighting Layouts
Answered online or by request