



Color: Bronze

Weight: 6.5 lbs

<b>Project:</b>	<b>Type:</b>
<b>Prepared By:</b>	<b>Date:</b>

Driver Info		LED Info	
Type	Constant Current	Watts	9W
120V	0.08A	Color Temp	3000K
208V	0.05A	Color Accuracy	85 CRI
240V	0.04A	L70 Lifespan	100,000 Hours
277V	0.04A	Lumens	341 lm
Input Watts	8.8W	Efficacy	38.9

### Technical Specifications

#### Compliance

**UL Listed:**

Suitable for wet locations

**IP Rating:**

Ingress protection rating of IP65 for dust and water

**IESNA LM-79 & LM-80 Testing:**

RAB LED luminaires and LED components have been tested by an independent laboratory in accordance with IESNA LM-79 and LM-80.

#### LED Characteristics

**LEDs:**

Long-life, high-efficacy, discrete, surface-mount LEDs

**Color Consistency:**

7-step MacAdam Ellipse binning to achieve consistent fixture-to-fixture color

**Color Uniformity:**

RAB's range of Correlated Color Temperature follows the guidelines of the American National Standard for (SSL) Products, ANSI C78.377-2017.

#### Electrical

**Driver:**

Constant Current, Class 2, 120-277V, 50/60 Hz, 120V: 0.08A, 208V: 0.05A, 240V: 0.04A, 277V: 0.04A

**THD:**

7.6% at 120V, 8.3% at 277V

**Power Factor:**

99.7% at 120V, 93.6% at 277V

**Dim to Off:**

No

**Aux Power Supply:**

No

#### Construction

**Cold Weather Starting:**

The minimum starting temperature is -40°C (-40°F)

**Maximum Ambient Temperature:**

Suitable for use in up to 45°C (113°F)

**Housing:**

Die-cast aluminum

**Lens:**

Polycarbonate lens

**Gaskets:**

High-temperature silicone

**Finish:**

Formulated for high durability and long-lasting color

**Green Technology:**

Mercury and UV free. RoHS-compliant components.

#### Installation

**Mounting:**

3pcs anchor bolts for mounting

#### Other

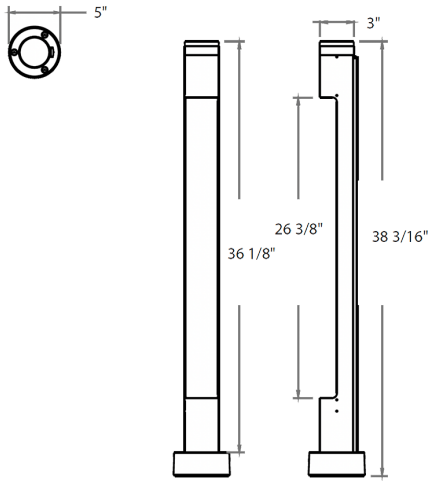
**5 Yr Limited Warranty:**

The RAB 5-year, limited warranty covers light output, driver performance and paint finish. RAB's warranty is subject to all terms and conditions found at [rablighting.com/warranty](http://rablighting.com/warranty).

**Buy American Act Compliance:**

RAB values USA manufacturing! Upon request, RAB may be able to manufacture this product to be compliant with the Buy American Act (BAA). Please contact customer service to request a quote for the product to be made BAA compliant.

**Dimensions**



**Features**

- IP65 rated
- 100,000-Hour LED lifespan
- 5-Year Limited Warranty

**Ordering Matrix**

Family	Shape	Type	Color Temp	Finish	Voltage
SA	RE	BR			
	RE = REED	B = Bollard BR = Bollard with Accent Ring WP = Wall Sconce	Blank = 3000K	Blank = Matte Bronze	Blank = 120-277V